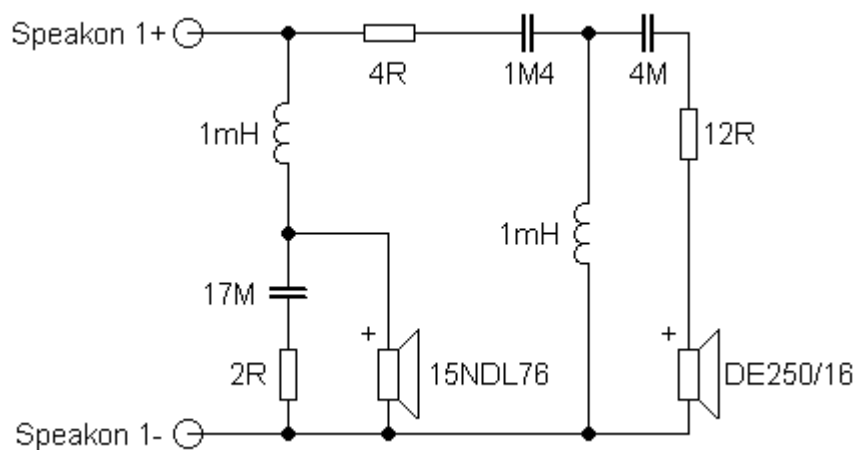


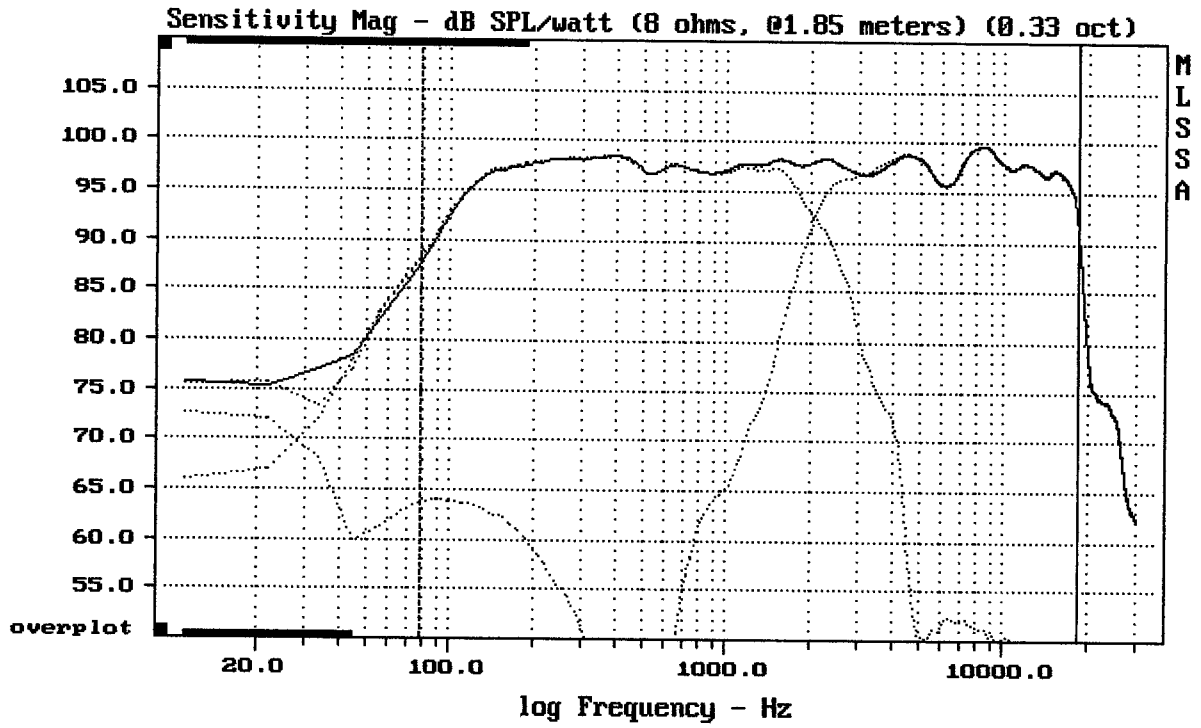
## Sestava B&C Speakers 15NDL76 + DE250/16 + Megaton A9090

### Osazení:

- B&C Speakers 15NDL76 8/Ohm  
<http://eshop.prodance.cz/DetailPage.asp?DPG=82860>
- B&C Speakers DE250/16 16/Ohm  
<http://eshop.prodance.cz/DetailPage.asp?DPG=82305>
- Megaton A9090  
<http://eshop.prodance.cz/DetailPage.asp?DPG=83920>

### Schéma výhybky:



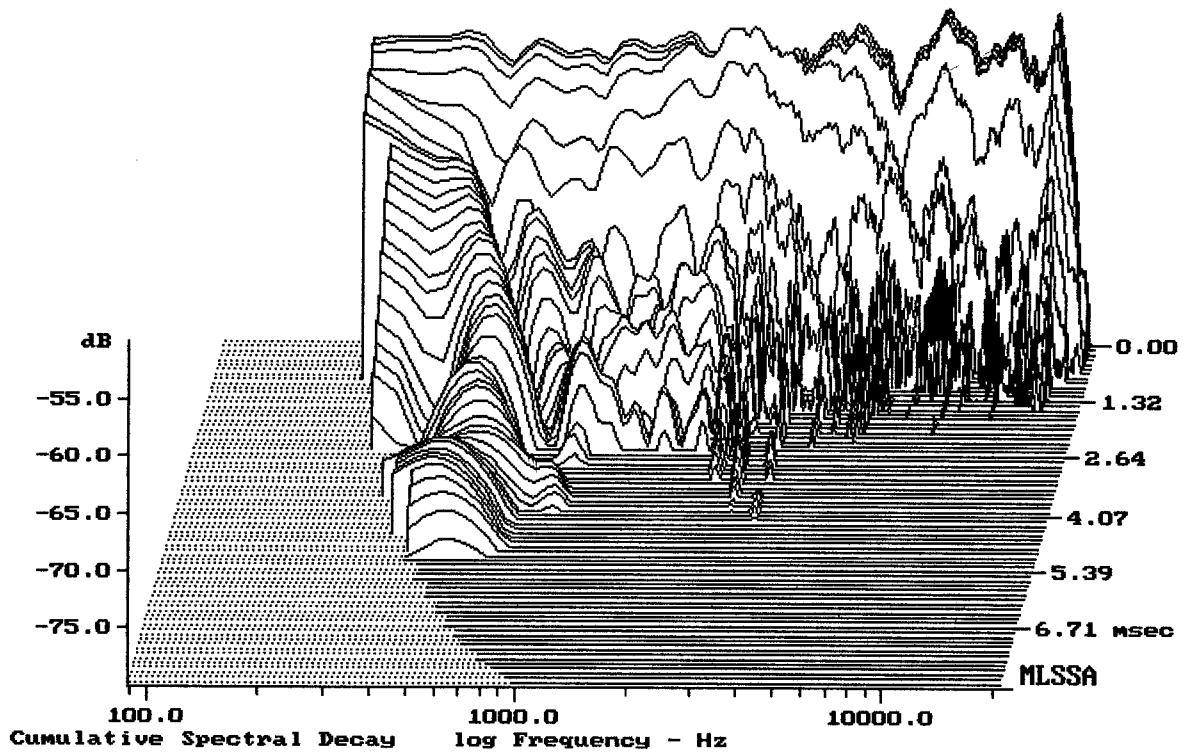


Level (78:18499 Hz) = 97.33 dB SPL/watt (8 ohms, @1.85 meters) (0.33 oct)

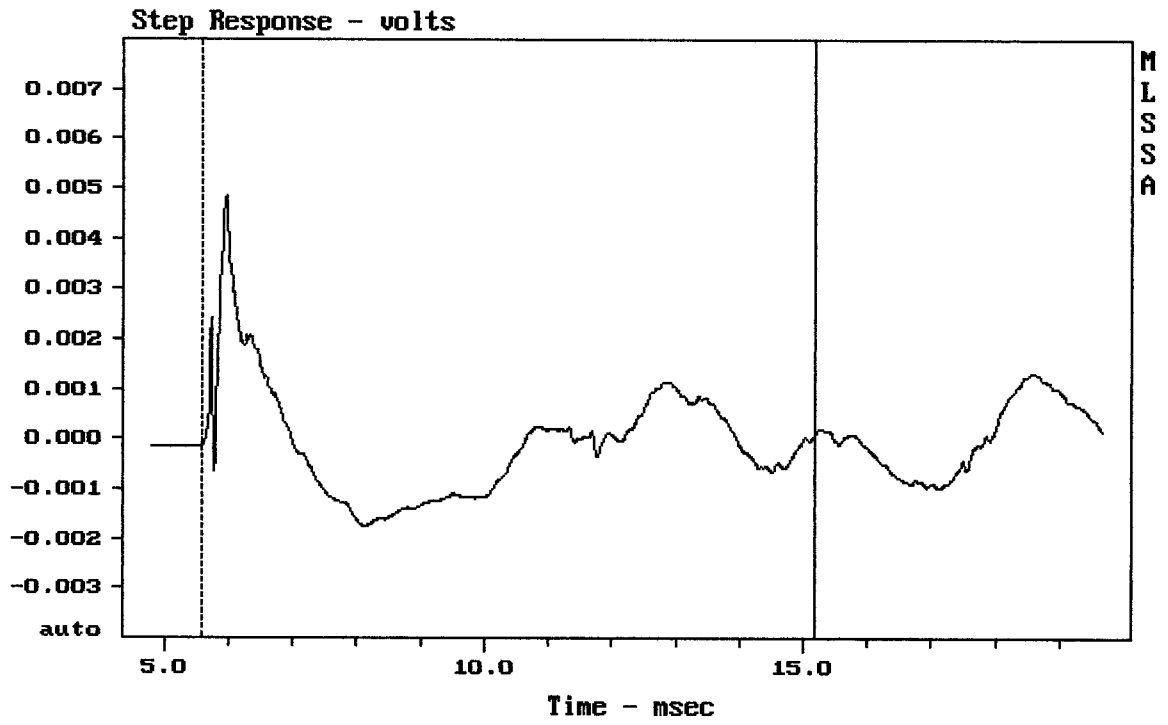
15NDL76 +DE250/16+ A9090

6-15-86 5:46 PM

MLSSA: Frequency Domain



-77.65 dB, 2441 Hz (55), 2.860 msec (27)



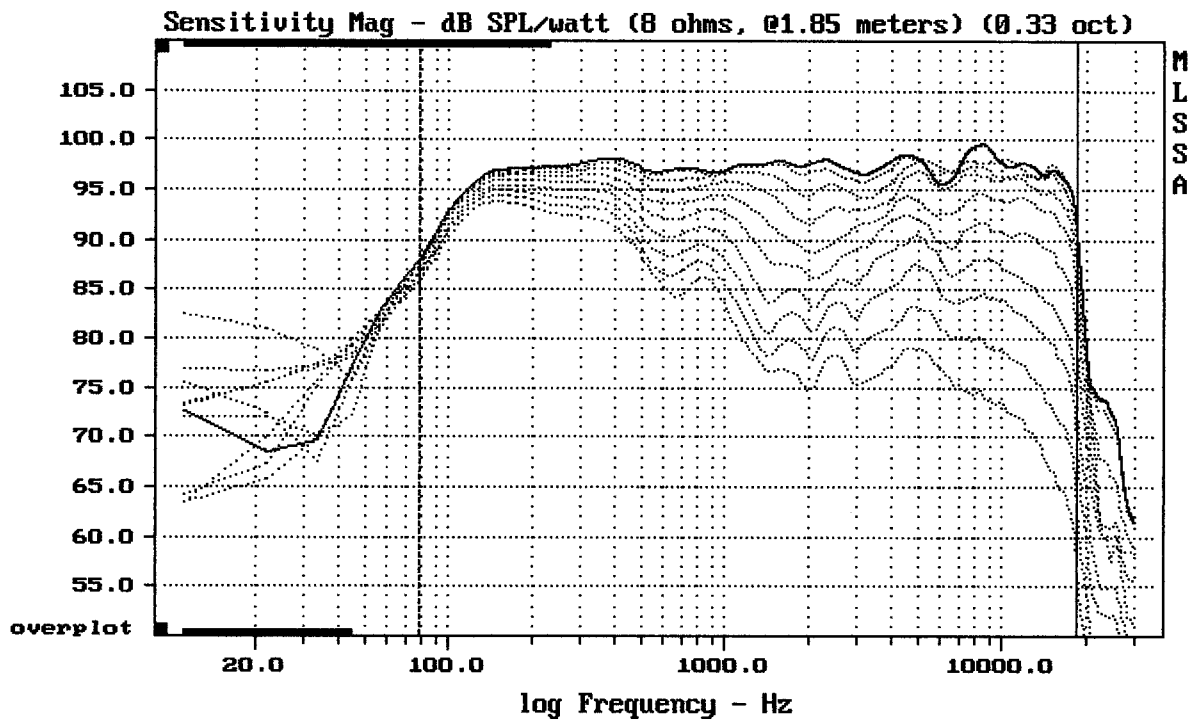

---

mean:  $-8.8e-005$ , rms: 0.001135, std: 0.001131, max: 0.004859, min: -0.001734

---

15NDL76 + DE250/16 + A9090

MLSSA: Time Domain




---

Overlay Compare: dev= +22/-9.3, std= 5.7, avg= -24

---

15NDL76 + DE250/16 + A9090