


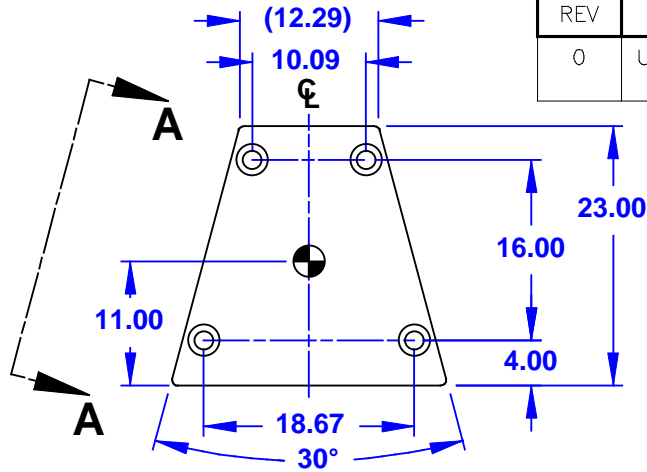


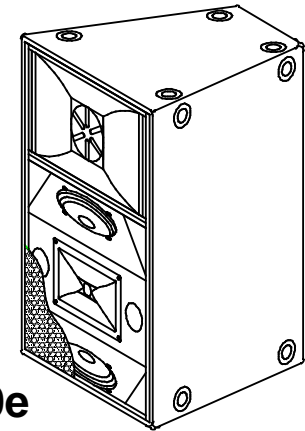
**NOTES:**

1. SYMBOL  INDICATES MOUNTING POINT, 3/8-16 THREADED HOLE (PI ANGLE).
2. SYMBOL  INDICATES MOUNTING POINT, 3/8-16 THREADED HOLE (NUT PLATE).
3. SYMBOL  INDICATES CENTER OF BALANCE.
4. WEIGHT APPROX. 140 LBS.
5. SHIPPING WEIGHT APPROX. 155 LBS.

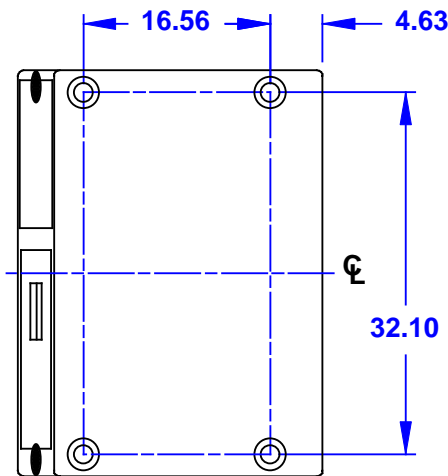
REV	DESCRIPTION	APVD/DATE
0	UPGRADE TO PRODUCTION FROM REV B PER DSR 01-430 MFL 5/9/01	MFL 5/10/01



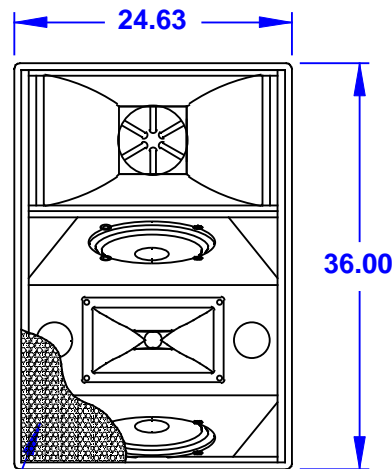
**TOP/BOTTOM**



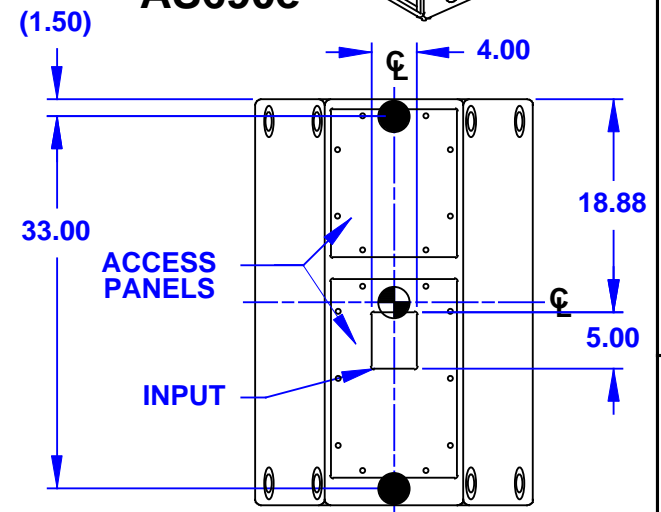
**AS690e**



**VIEW A-A**  
DIMENSIONS APPLY TO BOTH SIDES



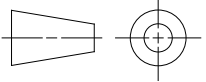
**FRONT**  
GRILLE PARTIALLY SHOWN



**BACK**

DOCUMENT CONTROL PER SPECIFICATION 4.5.201

THIRD ANGLE PROJECTION



THIS DRAWING IS THE PROPERTY OF EAW AND SHALL NOT BE COPIED, REPRODUCED, OR USED AS THE BASIS FOR MANUFACTURE OR SALE OF APPARATUS WITHOUT WRITTEN AUTHORIZATION. DO NOT SCALE DRAWING.

UNLESS OTHERWISE SPECIFIED: ALL DIMENSIONS ARE IN INCHES  
TOLERANCE IN INCHES  
.XX ± .13  
ANGLES ±1°  
(X.XX) = REF DIMS  
NO TOLERANCE IMPLIED  
T.S.C.=THEORETICAL SHARP CORNER  
DIMENSIONS ACROSS CENTERLINES TO BE SYMMETRICAL

STATUS: <b>PRODUCTION</b>	
APPROVALS	DATE
DRAWN: RAS	2/14/01
CHECKED: MFL	5/10/01
DES ENG: NB	5/17/01
MFG ENG: DBD	5/18/01

**EAW** EASTERN ACOUSTIC WORKS  
ONE MAIN STREET  
WHITINSVILLE, MA 01588 USA

TITLE: CABINET/FINISHED/BLACK - AS690e  
[MECHANICAL SPECIFICATION]

**A** SHEET 1 OF 1 SCALE: 1 TO 16

DRAWING NUMBER: 509133 REVISION: 0