



ELAR EXTQW FLOOD HP™

user manual 1.0

©2013 **ELATION PROFESSIONAL** all rights reserved. Information, specifications, diagrams, images, and instructions herein are subject to change without notice. **ELATION PROFESSIONAL** logo and identifying product names and numbers herein are trademarks of **ELATION PROFESSIONAL**. Copyright protection claimed includes all forms and matters of copyrightable materials and information now allowed by statutory or judicial law or hereinafter granted. Product names used in this document may be trademarks or registered trademarks of their respective companies and are hereby acknowledged. All non-**ELATION** brands and product names are trademarks or registered trademarks of their respective companies.

ELATION PROFESSIONAL and all affiliated companies hereby disclaim any and all liabilities for property, equipment, building, and electrical damages, injuries to any persons, and direct or indirect economic loss associated with the use or reliance of any information contained within this document, and/or as a result of the improper, unsafe, insufficient and negligent assembly, installation, rigging, and operation of this product.

Elation Professional USA | 6122 S. Eastern Ave. | Los Angeles, CA. 90040
323-582-3322 | 323-832-9142 fax | www.elationlighting.com | info@elationlighting.com

Elation Professional B.V. | Junostraat 2 | 6468 EW Kerkrade, Netherlands
+31 45 546 85 66 | +31 45 546 85 96 fax | www.elationlighting.eu | info@elationlighting.eu

CONTENTS

General Information	4
Warranty	6
Safety Instructions	7
General Guidelines	8
Fixture Control	9
DMX Channel Functions And Values	11
Cleaning and Maintenance	14
Technical Specifications	15
Optional Accessories	17

GENERAL INFORMATION

INTRODUCTION

Congratulations, you have just purchased one of the most innovative and reliable lighting fixtures on the market today! The **ELAR EXTQW FLOOD HP™** has been designed to perform reliably for years when the guidelines in this booklet are followed. Please read and understand the instructions in this manual carefully and thoroughly before attempting to operate this unit. These instructions contain important information regarding safety during use and maintenance.

UNPACKING

Thank you for purchasing the **ELAR EXTQW FLOOD HP™** by Elation Professional®. Every **ELAR EXTQW FLOOD HP™** has been thoroughly tested and has been shipped in perfect operating condition. Carefully check the shipping carton for damage that may have occurred during shipping. If the carton appears to be damaged, carefully inspect your unit for damage and be sure all accessories necessary to operate the unit have arrived intact. In the event damage has been found or parts are missing, please contact our customer support team for further instructions. Please do not return this unit to your dealer without first contacting customer support at the number listed below. Please do not discard the shipping carton in the trash. Please recycle whenever possible.

IP65 RATED

An IP rated lighting fixture is one, which is commonly installed in outdoor environments and has been designed with an enclosure that effectively protects the ingress (entry) of external foreign objects such as dust and water. The **International Protection (IP)** rating system is commonly expressed as "**IP**" (Ingress Protection) followed by two numbers (i.e. IP65) where the numbers define the degree of protection. The first digit (Foreign Bodies Protection) indicates the extent of protection against particles entering the fixture and the second digit (Water Protection) indicates the extent of protection against water entering the fixture. An IP65 rated lighting fixture is one, which has been designed and tested to protect against the ingress of dust (6) and high-pressure water jets from any direction (5).

BOX CONTENTS

- (1) 7.9 ft. (201mm) 4pin Female to Edison Power Cable
- (1) 6.6 ft. 3pin Male XLR to 3pin Female DMX Cable
- (1) 6.6 ft. 3pin Female XLR to 3pin Male DMX Cable
- (1) Bag of DMX End Caps
- Manual & Warranty Card

MANUAL UPDATES

Please check www.elationlighting.com for the latest revision/update of this manual.

CUSTOMER SUPPORT

Elation Professional® provides a customer support line, to provide set up help and to answer any question should you encounter problems during your set up or initial operation. You may also visit us on the web at www.elationlighting.com for any comments or suggestions. For service related issue please contact Elation Professional®. Service Hours are Monday through Friday 8:00 a.m. to 5:00 p.m. PST.

Voice: 323-582-3322

Fax: 323-832-9142

E-mail: support@elationlighting.com

Forum: www.ElationLighting.com/forum

WARRANTY REGISTRATION

The **ELAR EXTQW FLOOD HP™** carries a two year (730 days) limited warranty. Please fill out the enclosed warranty card to validate your purchase. All returned service items whether under warranty or not, must be freight pre-paid and accompany a return authorization (R.A.) number. The R.A. number must be clearly written on the outside of the return package. A brief description of the problem as well as the R.A. number must also be written down on a piece of paper and included in the shipping container. If the unit is under warranty, you must provide a copy of your proof of purchase invoice. Items returned without a R.A. number clearly marked on the outside of the package will be refused and returned at customer's expense. You may obtain a R.A. number by contacting customer support at 323-582-3322.

IMPORTANT NOTICE!

There are no user serviceable parts inside this unit. Do not attempt any repairs yourself; doing so will void your manufactures warranty. Damages resulting from modifications to this fixture and/or the disregard of safety and general user instructions found in this user manual void the manufactures warranty and are not subject to any warranty claims and/or repairs.

2-YEAR LIMITED WARRANTY

- A. Elation Professional® hereby warrants, to the original purchaser, Elation Professional® products to be free of manufacturing defects in material and workmanship for a period of two years, (730 days) from the date of purchase. This warranty shall be valid only if the product is purchased within the United States of America, including possessions and territories. It is the owner's responsibility to establish the date and place of purchase by acceptable evidence, at the time service is sought.
- B. For warranty service, send the product only to the Elation Professional® factory. All shipping charges must be pre-paid. If the requested repairs or service (including parts replacement) are within the terms of this warranty, Elation Professional® will pay return shipping charges only to a designated point within the United States. If the entire instrument is sent, it must be shipped in its original package. No accessories should be shipped with the product. If any accessories are shipped with the product, Elation Professional® shall have no liability what so ever for loss of or damage to any such accessories, nor for the safe return thereof.
- C. This warranty is void if the serial number has been altered or removed; if the product is modified in any manner which Elation Professional® concludes, after inspection, affects the reliability of the product; if the product has been repaired or serviced by anyone other than the Elation Professional® factory unless prior written authorization was issued to purchaser by Elation Professional®; if the product is damaged because not properly maintained as set forth in the instruction manual.
- D. This is not a service contract, and this warranty does not include maintenance, cleaning or periodic check-up. During the period specified above, Elation Professional® will replace defective parts at its expense, and will absorb all expenses for warranty service and repair labor by reason of defects in material or workmanship. The sole responsibility of Elation Professional® under this warranty shall be limited to the repair of the product, or replacement thereof, including parts, at the sole discretion of Elation Professional®. All products covered by this warranty were manufactured after January 1, 1990, and bare identifying marks to that effect.
- E. Elation Professional® reserves the right to make changes in design and/or improvements upon its products without any obligation to include these changes in any products theretofore manufactured.
- F. No warranty, whether expressed or implied, is given or made with respect to any accessory supplied with products described above. Except to the extent prohibited by applicable law, all implied warranties made by Elation Professional® in connection with this product, including warranties of merchantability or fitness, are limited in duration to the warranty period set forth above. And no warranties, whether expressed or implied, including warranties of merchantability or fitness, shall apply to this product after said period has expired. The consumer's and or Dealer's sole remedy shall be such repair or replacement as is expressly provided above; and under no circumstances shall Elation Professional® be liable for any loss or damage, direct or consequential, arising out of the use of, or inability to use, this product.
- G. This warranty is the only written warranty applicable to Elation Professional® Products and supersedes all prior warranties and written descriptions of warranty terms and conditions heretofore published.

SAFETY INSTRUCTIONS



The **ELAR EXTQW FLOOD HP™** is an extremely sophisticated piece of electronic equipment. To guarantee a smooth operation, it is important to follow the guidelines in this manual. The manufacturer of this device will not accept responsibility for damages resulting from the misuse of this fixture due to the disregard of the information printed in this manual.



This device falls under **PROTECTION CLASS 1**. It's essential this device is grounded properly, and only qualified personnel perform all electrical connections.



CAUTION!

Never touch the device during operation!
The housing may heat up



CAUTION!

Never look directly into the light source,
as sensitive persons may suffer an epileptic shock.

- For proper operation, follow the **Installation** guidelines described in this manual. Only qualified and certified personnel should perform the installation and only the original rigging parts (brackets, holders, clamps, safety cables) included with this fixture should be used for installation. Any modifications will void the original manufacturer's warranty and increase the risk of damage and/or personal injury.
- Never look directly into the light source to prevent risk of injury to your retina, which may induce blindness. Those suffering from **EPILEPSY** should avoid looking directly into the light source of this unit at all times.
- The fan and air inlets must remain clean and never blocked. Allow approx. 6" (15cm) between this fixture and other devices or a wall for proper cooling.
- Always disconnect from main power source before performing any type of service and/or cleaning procedure. Only handle the power cord by the plug end, never pull by tugging the wire portion of the cord.
- Do NOT operate fixture if the power cord has become frayed, crimped and/or damaged. If the power cord is damaged, replace it immediately with a new one of similar power rating.
- Do NOT operate fixture near any flammable materials.
- Do NOT operate fixture in dusty environments.

GENERAL GUIDELINES

- **NEVER OPEN THIS FIXTURE WHILE IN USE!**
- During the initial operation of this fixture, a light smoke or smell may emit from the interior of the fixture. This is a normal process and is caused by excess paint in the interior of the casing burning off from the heat associated with the lamp and will decrease gradually over time.
- This fixture is a professional lighting effect designed for **OUTDOOR LOCATIONS**.
- Please make sure there are **NO FLAMMABLE MATERIALS** close to the fixture while operating, to prevent any fire hazard.
- Do not attempt installation and/or operation without proper knowledge how to do so.
- Do not permit operation by persons who are not qualified for operating this type of theatrical fixture. Most damages are the result of operations by nonprofessionals.
- Consistent operational breaks may ensure the fixture will function properly for many years to come.
- Do not shake fixture, avoid brute force when installing and/or operating the device.
- Always install the fixture with an appropriate safety cable. When installing the fixture in a suspended environment, always use mounting hardware that is no less than M10 x 25 mm, also be sure the hardware is insert in the pre-arranged screw holes in the bracket of the fixture.
- Please use the original packaging and materials to transport the fixture in for service.
- Fixture surface temperature may reach up to **85°C**. **DO NOT TOUCH** the housing bare-hand during its operation. Turn OFF the power and allow approximately 15 minutes for the fixture to cool down before replacing or serving.

Fixture Control

The ELAR WR II IR Remote (pictured below) is required to make menu changes to this fixture.
(Required Accessory To Change DMX Modes - SKU# ELAR WR II)



NOTE:

The Remote must be aimed towards the front of the fixture and within a distance of 32 ft. (10m).

Select Program Mode

Press PROG button to cycle among static color select mode, color-jumping mode, COLOR FADE mode and auto run mode. Each press of this button will change to the next mode.

1. When the red color glow and then automatically off indicates that the LED par goes into the static color select mode. You can press "+" and "-" or put in two numbers 00-15 to choose the 16 static colors in this mode. You can also press FLASH to turn on/off flash and press "+" and "-" or put in two numbers 00-15 to adjust the flash speed, 00 is flash off, 01 is the slowest speed, 15 is the fastest speed.
2. When the green color glow and then automatically off indicates that the LED par goes into auto run mode. You can also press SPEED to enter speed set mode and press "+" and "-" or put in two numbers 01-16 to adjust the auto run speed, 01 is the slowest speed, 16 is the fastest speed.
3. When the blue color glow and then automatically off indicates that the LED par goes into COLOR FADE mode. You can press "+" and "-" or put in two numbers 01-16 to choose the 16 COLOR FADE mode. You can also press SPEED to enter speed set mode and press "+" and "-" or put in two numbers 01-16 to adjust the COLOR FADE speed, 01 is the slowest speed, 16 is the fastest speed.
4. When the white color glow and then automatically off indicates that the LED par goes into color change mode. You can press "+" and "-" or put in two numbers 01-16 to choose the 16 color change mode. You can also press SPEED to enter speed set mode and press "+" and "-" or put in two numbers 01-16 to adjust the color change speed, 01 is the slowest speed, 16 is the fastest speed.

M/S mode

Press SL/SA button to select slave mode. The unit will be controlled by the master unit now.

Select light program mode

Press R/G/B/W to choose R/G/B/W colors and pressing “+” and “-” or put in three number 000-255 to adjust the intensity of the light. You can also press FLASH to turn on flash and press “+” and “-” or put in two numbers 00-15 to adjust the flash speed, 00 is flash off, 01 is the slowest speed, 15 is the fastest speed.

DMX MODE

There are 8 DMX modes. You must set the DMX Channel mode before you address the fixture. To select your desired DMX Channel mode press the DMX mode button, and then press the “+” or “-” buttons to scroll through the DMX Channel modes. Once you find your desired DMX Channel mode, set your desired DMX address:

- If RED LED's glow you are in DMX Mode 1: 1 DMX Channels
- If GREEN LED's glow you are in DMX Mode 2: 2 DMX Channels
- If BLUE LED's glow you are in DMX Mode 3: 3 DMX Channels
- If WHITE LED's glow you are in DMX Mode 4: 4 DMX Channels
- If RED and GREEN LED's glow you are in DMX Mode 5: 5 DMX Channels
- If RED and BLUE LED's glow you are in DMX Mode 6: 6 DMX Channels
- If RED and WHITE LED's glow you are in DMX Mode 7: 7 DMX Channels
- If GREEN and BLUE LED's glow you are in DMX Mode 8: 8 DMX Channels

Set ADDR

Press this button to set the DMX address or initialize the program, then the red, green, blue and white lights will flash 2~3 times. Please put in 3 number, for example, 1 2 3. After the red light is on, please put in the first number. After the first number is accessed the green light will be on, then put in the second number. When the blue light will be on, please put in the third number. After all the three number are put in, the red, green, blue and white lights will flash 2~3 times, which indicate that the DMX address is right and it go in to the DMX MODE automatically. If the address is wrong the red light will be on. New DMX address should be put in.

If the 951 are put in, red and green lights will be on. Put “0” to initialize the program. If the wrong address is put in, the red light will be on, indicating new address should be put in. Then the system will run in the first color-jumping mode.

Black Out mode

Press “BLACK OUT” to set the LED lights power on or power off by pressing this button.

Now you may connect the fixture via XLR connections to the Outdoor LED rectangle light 4in1, please read the corresponding fixture in this manual to find out about the DMX modes, values and straits.

DMX CHANNEL FUNCTIONS AND VALUES

DMX Mode 1: 1 Channel Mode

Value	Function
000-015	Off
016-031	Red
032-047	Green
048-063	Blue
064-079	White
080-095	Red + Green
096-111	Red + Blue
112-127	Red + White
128-143	Green + Blue
144-159	Green + White
160-175	Blue + White
176-191	Red + Green + Blue
192-207	Red + Green + White
208-223	Red + Blue + White
224-239	Green + Blue + White
240-255	Red + Green + Blue + White

DMX Mode 2: 2 Channel Mode

Channel	Value	Function
1		STATIC COLOR MACROS (See DMX Mode 1)
2	0 - 255	MASTER DIMMER 0% - 100%

DMX Mode 3: 3 Channel Mode

Channel	Value	Function
1		STATIC COLOR MACROS (See DMX Mode 1)
2	0 - 255	MASTER DIMMER 0% - 100%
3	0-15 16-255	STROBING OFF STROBING SLOW - FAST

DMX Mode 4: 4 Channel Mode

Channel	Value	Function
1	0-255	RED 0% - 100%
2	0-255	GREEN 0% - 100%
3	0-255	BLUE 0% - 100%
4	0-255	WHITE 0% - 100%

DMX Mode 5: 5 Channel Mode

Channel	Value	Function
1	0-255	RED 0% - 100%
2	0-255	GREEN 0% - 100%
3	0-255	BLUE 0% - 100%
4	0-255	WHITE 0% - 100%
5	0-255	MASTER DIMMER 0% - 100%

DMX Mode 6: 6 Channel Mode

Channel	Value	Function
1	0-255	RED 0% - 100%
2	0-255	GREEN 0% - 100%
3	0-255	BLUE 0% - 100%
4	0-255	WHITE 0% - 100%
5	0-255	MASTER DIMMER 0% - 100%
6	STATIC COLOR MACROS (See DMX Mode 1)	

Note: Channel 1, 2 and 3 will not work, when Channel 6 is being used.

DMX Mode 7: 7 Channel Mode

Channel	Value	Function
1	0-255	RED 0% - 100%
2	0-255	GREEN 0% - 100%
3	0-255	BLUE 0% - 100%
4	0-255	WHITE 0% - 100%
5	0-255	MASTER DIMMER 0% - 100%
6	0-15 16-255	STROBING OFF STROBING SLOW - FAST
7	STATIC COLOR MACROS (See DMX Mode 1)	

Note: Channel 1, 2 and 3 will not work, when Channel 7 is being used.

DMX Mode 8: 8 Channels Mode

CH8		CH7	CH6	CH5	CH4	CH3	CH2	CH1
DMX VALUE	FUNCTION							
0-255	NO FUNCTION	DIMMER MODE (0-63)	STROBE MODE (16-255)	DIMMING (0-255)	No Function	No Function	No Function	No Function
0-255	COLOR MACROS (See DMX Mode 1)	STATIC COLOR MODE (64-127)	(Slow→Fast)					
000-015	COLOR CHASE 1	COLOR CHASE MODES (128-191)	SPEED MODE (0-255)	DIMMING (0-255)	No Function	No Function	No Function	No Function
016-031	COLOR CHASE 2							
032-047	COLOR CHASE 3							
048-063	COLOR CHASE 4							
064-079	COLOR CHASE 5							
080-095	COLOR CHASE 6							
096-111	COLOR CHASE 7							
112-127	COLOR CHASE 8							
128-143	COLOR CHASE 9							
144-159	COLOR CHASE 10							
160-175	COLOR CHASE 11							
176-191	COLOR CHASE 12							
192-207	COLOR CHASE 13							
208-223	COLOR CHASE 14							
224-239	COLOR CHASE 15							
240-255	COLOR CHASE 16							
000-015	COLOR FADE 1	COLOR FADE MODES (192-255)	(Slow→Fast)	DIMMING (0-255)	No Function	No Function	No Function	No Function
016-031	COLOR FADE 2							
032-047	COLOR FADE 3							
048-063	COLOR FADE 4							
064-079	COLOR FADE 5							
080-095	COLOR FADE 6							
096-111	COLOR FADE 7							
112-127	COLOR FADE 8							
128-143	COLOR FADE 9							
144-159	COLOR FADE 10							
160-175	COLOR FADE 11							
176-191	COLOR FADE 12							
192-207	COLOR FADE 13							
208-223	COLOR FADE 14							
224-239	COLOR FADE 15							
240-255	COLOR FADE 16							

NOTES:

- ① When Channel 7 fader level is between values of (0 and 63), Channel 1 to Channel 4 will control the Red/Green/Blue/White dimmer, and Channel 6 will control strobe speed.
- ② When Channel 7 fader level is between values of (64 and 127), Channel 8 fader will select one of the 16 Static COLOR MACROS listed in DMX Mode 1, and Channel 6 will control strobe speed.
- ③ When Channel 7 fader level is between the values of (128 and 191), Channel 8 fader will select one of the 16 COLOR CHASE MODES, and Channel 6 will control COLOR CHASE speed.
- ④ When Channel 7 fader level is between the values of (192 and 255), Channel 8 fader will select one of the 16 COLOR FADE MODES, and Channel 6 will control COLOR FADE speed.

CLEANING AND MAINTENANCE



CAUTION!

Disconnect from mains before starting maintenance operation.

CLEANING

Frequent cleaning is recommended to insure proper function, optimized light output, and an extended life. The frequency of cleaning depends on the environment in which the fixture operates: damp, smoky or particularly dirty environments can cause greater accumulation of dirt on the fixture's optics. Clean external lens surface every 20 days with a soft cloth to avoid dirt/debris accumulation. Never use alcohol, solvents, or ammonia based cleaners.

MAINTENANCE

Regular inspections recommended to insure proper function and an extended life.

There are no user serviceable parts inside this fixture, please refer all other service issues to an authorized Elation service technician. Should you need any spare parts, please order genuine parts from your local Elation dealer. Follow these points during routine inspections:

- A detailed electric check by an approved electrical engineer every three months, to make sure the circuit contacts are in good condition and prevent overheating.
- Be sure all screws and fasteners are securely tightened at all times. Loose screws may fall out during normal operation resulting in damage or injury as larger parts could fall.
- Check for any deformations on the housing, color lenses, rigging hardware and rigging points (ceiling, suspension, trussing). Deformations in the housing could allow for dust to enter into the fixture. Damaged rigging points or unsecured rigging could cause the fixture to fall and seriously injure a person(s).
- Electric power supply cables must not show any damage, material fatigue or sediments. Never remove the ground prong from the power cable.

TECHNICAL SPECIFICATIONS

FEATURES

IP65 Rated
25° Beam Angle
Die-Cast Aluminum Housing / Tempered Glass
IR Remote Programmable
Flicker Free Operation for TV and FILM

SOURCE

9 x 5W QUAD Color (RGBW) LEDs
50,000 Hour Average Life

PHOTOMETRIC DATA

1736 LUX (161 FC) @9.8 ft. (3m) 25° Full ON

EFFECTS

Color + Variable Strobe Macros
Electronic Dimming: 0% - 100%

COLOR

RGBW (Red, Green, Blue, White)

CONTROL / CONNECTIONS

8 DMX Channel Modes (1/2/3/4/5/6/7/8)
3pin DMX In/Out
4pin Power In/Out
Power Link Multiple Units (10) at 120V (20) at 240V

SIZE / WEIGHT

Length: 11.8" (298mm)
Width: 8.3" (210mm)
Vertical Height: 9.8" (249mm)
Weight: 9.9 lbs. (4.5kg)

ELECTRICAL

AC 100-240V - 50/60Hz
56W Max Power Consumption

APPROVALS / RATINGS

CE Approved
IP65 Rated

INSTALLATION

Rigging: Integrated Yoke
Working Position: Any (360°)

INCLUDED ITEMS

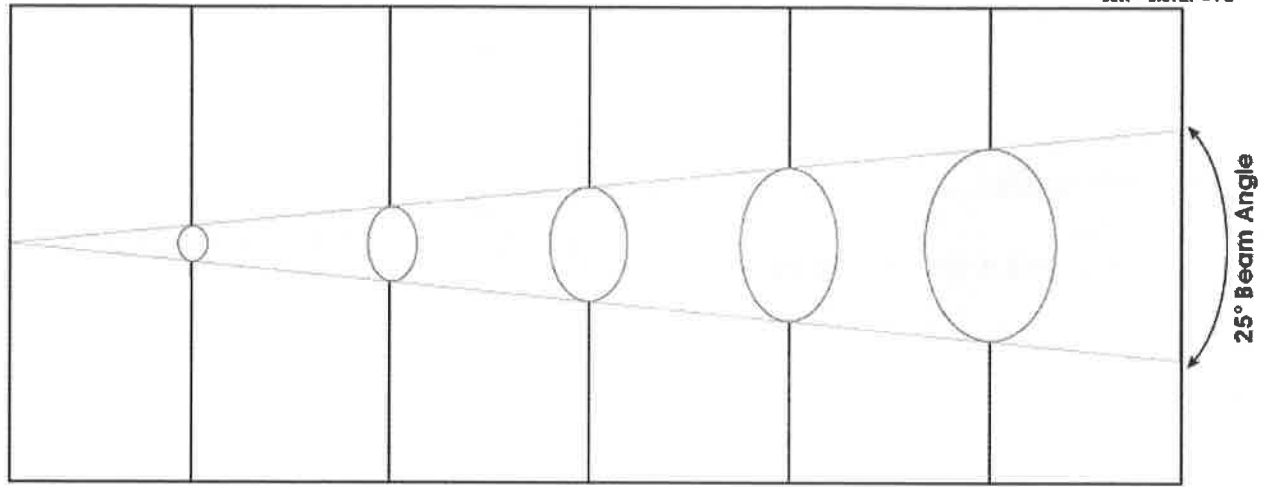
(1) 6.5 ft. (2m) 4pin Female to Edison Power Cable
(1) 5.5 ft. (1.7m) 3pin Male to 3pin Female DMX Cable
(1) 5.5 ft. (1.7m) 3pin Female to 3pin Male DMX Cable
(1) Bag of DMX End Caps

Please Note: Specifications and improvements in the design of this unit and this manual are subject to change without any prior written notice.

PHOTOMETRIC DATA

RED LEDs	196 FC / 2110 LUX	76 FC / 822 LUX	37 FC / 398 LUX	22 FC / 237 LUX	14 FC / 153 LUX
GREEN LEDs	221 FC / 2380 LUX	884 FC / 884 LUX	39 FC / 421 LUX	22 FC / 240 LUX	14 FC / 155 LUX
BLUE LEDs	230 FC / 2480 LUX	91 FC / 981 LUX	42 FC / 455 LUX	25 FC / 269 LUX	16 FC / 168 LUX
WHITE LEDs	305 FC / 3280 LUX	116 FC / 1244 LUX	65 FC / 692 LUX	33 FC / 350 LUX	20 FC / 217 LUX
FULL ON	920 FC / 9900 LUX	342 FC / 3680 LUX	161 FC / 1736 LUX	94 FC / 1009 LUX	61 FC / 653 LUX

LUX x 0.0929 = FC

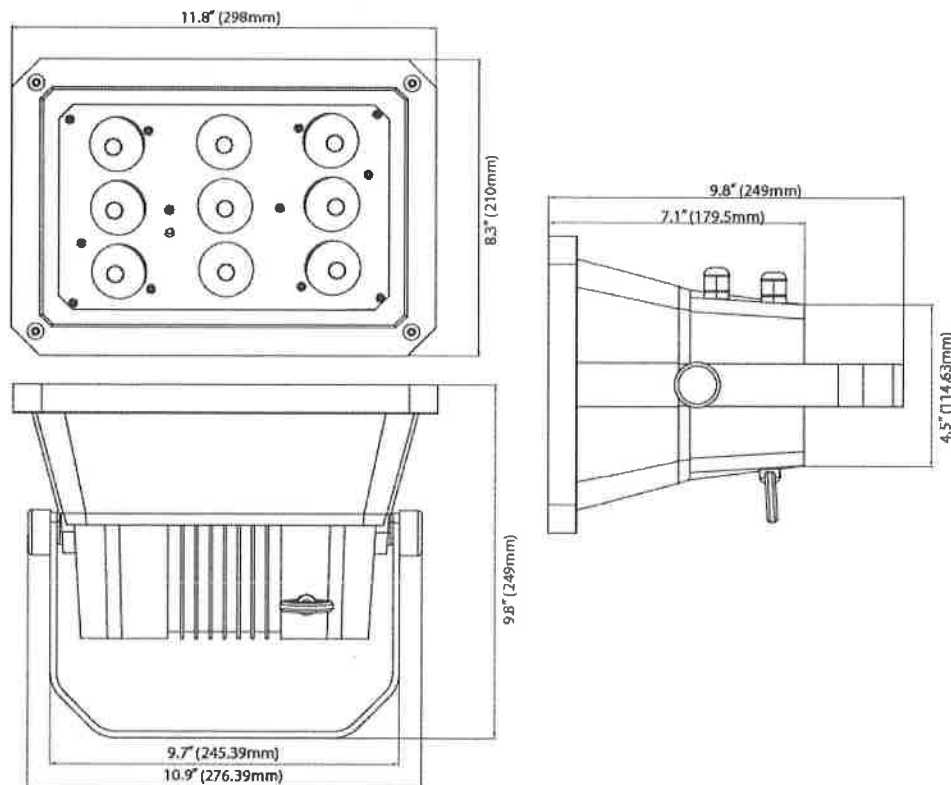


0 m	1 m	2 m	3 m	4 m	5 m
0 ft	3.3 ft	6.6 ft	9.8 ft	13.1 ft	16.4 ft

Min Beam Diameter

25° Beam Angle	Ø 1.25 m / Ø 4.1 ft	Ø 1.35 m / Ø 4.4 ft	Ø 1.50 m / Ø 4.9 ft	Ø 1.65 m / Ø 5.4 ft	Ø 1.80 m / Ø 5.9 ft
----------------	---------------------	---------------------	---------------------	---------------------	---------------------

DIMENSIONAL DRAWINGS



Please Note: Specifications and improvements in the design of this unit and this manual are subject to change without any prior written notice.

OPTIONAL ACCESSORIES

ORDER CODE	ITEM
TRIGGER CLAMP	Heavy Duty Wrap Around Hook Style Clamp
ELA958/3MPEC	3m (4pin) Power Ext/Link Cable
ELAR 3C-1M	1m (3pin) Signal Ext Cable
ELAR 3C-5M	5m (3pin) Signal Ext Cable
ELAR WR II	Infrared Wireless Remote Controller Required To Program Fixture *Not Included Purchased Separately

