



ASSEMBLY INSTRUCTION

NL2FX

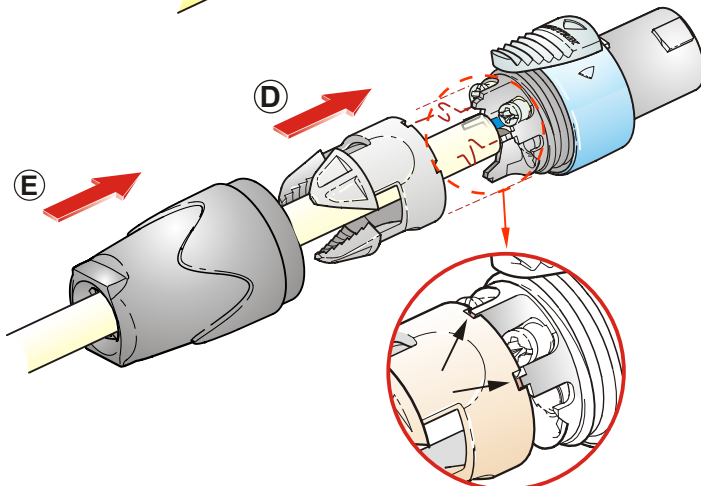
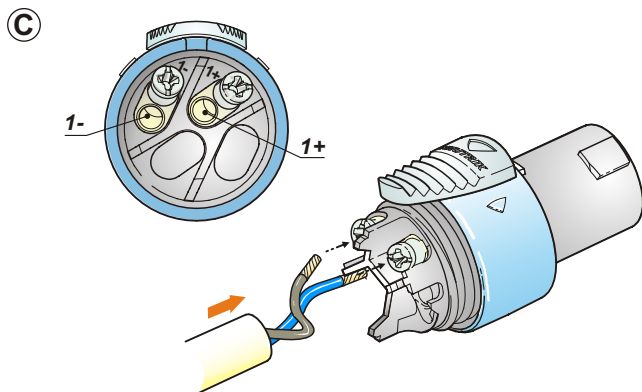
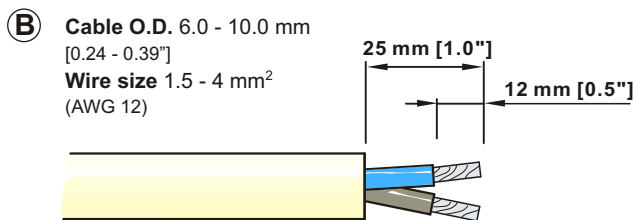
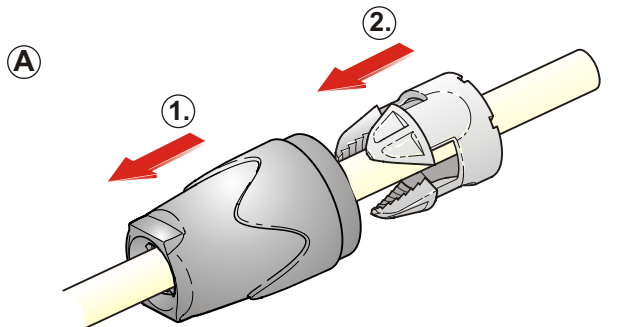
speakON® SPX Series | Lockable Loudspeaker Connector

IMPORTANT SAFETY INSTRUCTION

Electrical Rating acc. UL & CSA:
USR: 40A/250V, CNR: 25A/250V

“CAUTION: NOT FOR INTERRUPTING CURRENT”
“ATTENTION: NE PAS UTILISER POUR COUPER LE COURANT”

Assembly of the Connector:



A Place bushing and chuck over cable.

B Prepare cable as shown.

Important is the stripping length of 25 mm and 12 mm.

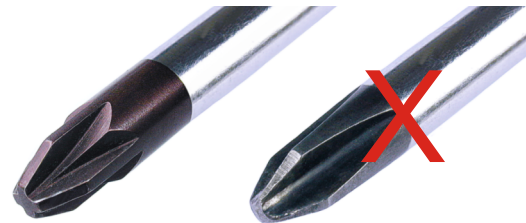
C Insert wires into terminals and secure clamp terminals with screw driver (Pozidriv®).

D Push chuck up to housing .

Important: Align the chuck by positioning the nose into the recess.

E Finish installation by turning the bushing onto the connector.

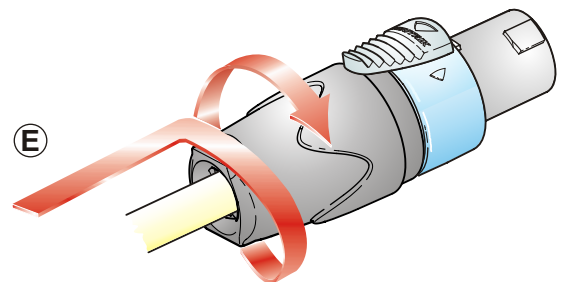
INFO to the screw driver:



DO NOT USE!

Pozidriv #1

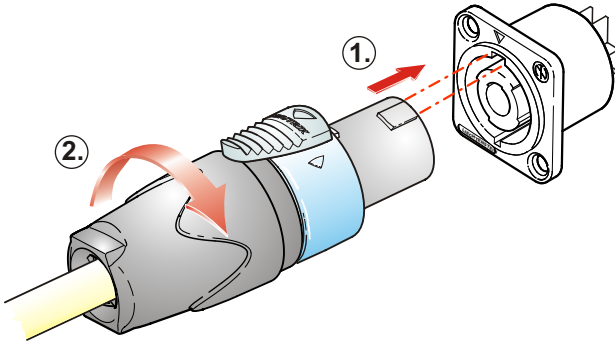
Philips



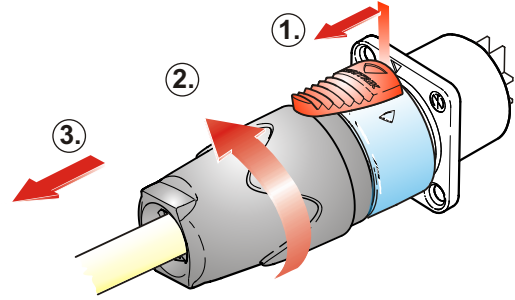


Handling of the Connector:

Engagement:



Separation:



NEUTRIK AG LI T: +423 / 237 24 24 F: +423 / 232 53 93
NEUTRIK USA Inc. USA T: +1 704 / 972 3050 F: +1 704 / 438 9202
NEUTRIK (UK) Ltd. UK T: +44 1983 / 811 441 F: +44 1983 / 811 439
NEUTRIK Vertriebs GmbH DE/NL/AT/DK T: +49 8131 / 280 890 F: +49 8131 / 280 830

NEUTRIK France FR T: +33 1 / 4131 6750 F: +33 1 / 4131 0511
NEUTRIK Tokyo Ltd. JP T: +81 3 / 3663 4733 F: +81 3 / 3663 4796
NEUTRIK Hong Kong Ltd. HK T: +852 / 2687 6055 F: +852 / 2687 6052

Draft. Nr.: BDA 348 / 3102M2081 | Update: 27.05.2013 | Data subject to change without prior notice. ©2013 NEUTRIK®. ALL RIGHTS RESERVED. NEUTRIK® and speakON® are registered trademark of Neutrik AG.