



PD.186



- Heavy duty 18" cast aluminium frame with extra wide flange for increased rigidity
- 700W_{RMS}
- 5" copper voice coil capable of dissipating tremendous heat build up when driven in concert conditions
- 110 oz. magnet
- Huge copper area and breathing arrangement of the voice coil ensures superior power compression performance
- Double suspension maintains pure piston action for the moving mass even when driven with the most complex programme input signals and provides additional durability against the rigours of life on the road

APPLICATION NOTES

Designed to provide superlative high power bass and sub bass, suitable for all systems demanding the best possible low frequency response.

A popular choice for horn loaded subwoofers when the PD.186's full low end can deliver extremely high SPLs.

Ideal for three-way direct radiating systems where the powerful bass comes into its own.

Well suited to use with PD.107/PD.121 and PD.C2/PD.C14 to produce direct radiating/horn loaded systems where the double suspension system allows it to thrive in the demanding touring sector.

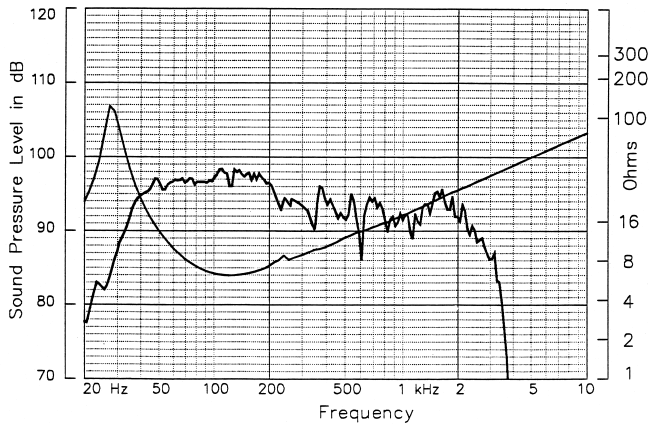
WORLD HEADQUARTERS

Precision Devices Grantley Way Wakefield West Yorkshire WF1 4PY England
Telephone: +44 (0) 1924 332188 Fax: +44 (0) 1924 239988 Email: info@precision-devices.com W: www.precision-devices.com

FACTORY

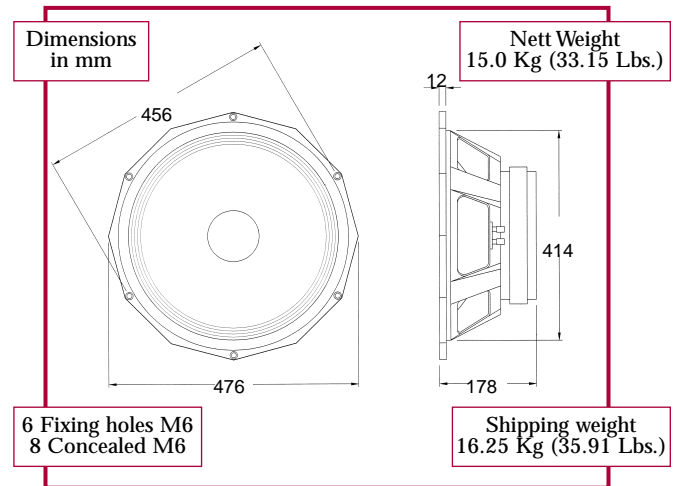
Precision Devices Jenson House Cardrew Industrial Estate Redruth Cornwall TR15 1SS England

RESPONSE & IMPEDANCE DETAIL



Response measured in a half space environment using a vented enclosure of 208 litres.

MECHANICAL DATA



TECHNICAL SPECIFICATION

Nominal Diameter	46cm (18")
Power rating ¹	700 Watts
Frequency range	Up to 2 kHz
Nominal Impedance	8 or 16 Ohms
Sensitivity ² (1 W 1 M)	97 dB
Resonance	25 Hz
Enc. Vol. Recommended	100 to 350 Litres
Displacement limit	16 mm (0.64")
Voice coil diameter	127 mm (5.08")
Voice coil	Copper
Voice coil winding depth	25 mm (1.0")
Suspension (Spider)	Dual Fabric
Magnet gap depth	9 mm (0.36")
Magnet material/mass	Ceramic/3.0 Kg (110 oz.)
Magnetic assembly total mass	11.75 Kg (25.97 Lbs.)
Flux Density	9,500 Gauss
Cone type/material	Curvilinear Smooth Paper
Surround	Fabric
Dust dome	Paper
Connectors	Spring loaded push button metal bodied
Polarity	Positive Voltage on Red Terminal gives forward cone motion

Notes

1. AES Standard (40 to 400 Hz) Program 1400 Watts
2. AES Recommended Practice.

THIELE - SMALL PARAMETERS

F_s	27 Hz	P_{mx}	700 Watts
X_{max}	9 mm	Q_{es}	0.326
Re_{vc}	5.5 Ohms	C_{ms}	188 μM/N
V_d	1.035 10 ⁻⁴ m ³	V_{as}	353 Litres
Q_{ts}	0.312	M_{ms}	184 grams
N_o	2.05%	S_d	1150 sq cm
Q_{ms}	7.75	BL	22.94 T/m

Notes

3. Thiele - Small Parameters follow a 700 Watt preconditioning period.