

4PRO SERIES

ACTIVE SPEAKER

4PRO 4001-A



RCF 4PRO 4001-A is an active, wide dispersion 3 way sound reinforcement speaker. It integrates a massive 800 Watt amplifier, a complete electronic processor section and RCF low distortion, high power transducers. The system is compact and extremely linear and offers the typical balanced sound of high level three way systems. The new 15" inch woofer is the result of the latest refinement in years of RCF experience in compact speaker design and manufacture, resulting in an accurate and a tight extended bass. RCF's unique 6" cone midrange is built in and optimised for the 4PRO 4001-A horn assembly. Specific attention has been dedicated to low distortion and dynamic properties of this transducer. The compression driver uses a new 1.5" titanium dome in front of a low compression, optimised geometry, radial phase plug. This innovative design is powered from a high flux neodymium magnet offering extreme precision in high frequency reproduction. A high current 2 step class H design is used to power the low frequencies. Mid and high frequencies are separately powered from class AB dedicated low distortion designs. The input section presents a combo XLR/Jack line input connector, a recessed master volume and a useful XLR loop-through link. The processor section includes active crossover, system equalization, transducer phase alignment, limiter and protection functions. The system is visually monitored from 4 status LEDs. All components are housed in a strong Baltic birch plywood enclosure where high density polystyrene end caps guarantee the maximum strength. The woofer and mid-high horn is protected from a full front, strong, powder coated, metal grille. The cabinet features three M10 threaded fly points and two side handles for easy portability.

Applications

- Main PA for Small to Mid size Venues
- Band & Vocal PA
- Side Fills
- Night Clubs
- Corporate Events

Features

- 800 watt Monolithic tri-amplification. 600 watt low frequency, 150 watt midrange frequency and 50 watt high frequency power.
- 130 dB max SPL
- Wide dispersion, 90 x 45 low distortion, mid-high horn assembly
- 15" high power woofer, 75mm inside/outside aluminium coil
- 6" high efficiency, low distortion, horn loaded midrange
- 1" neodymium, titanium dome, high frequency driver
- Electronic equalization, phase alignment, limiter and protection
- Line combo XLR/Jack input, XLR signal output
- Baltic birch cabinet with 2 side handles for easy transportation and positioning
- Three M10 fly points

ACOUSTICAL SPECIFICATIONS

Frequency response:	45 - 20 Khz
Max SPL:	130 dB
Coverage angle:	90° x 45°
Compression driver:	neo 1"
Midrange:	6"
Woofer:	15"

INPUT SECTION

Input signal (Impedance):	bal/unbal
Input connector:	jack/xlr
Output signal connector:	xlr
Input sensitivity:	0 dBu
Mic. input sensitivity:	-

PROCESSOR SECTION

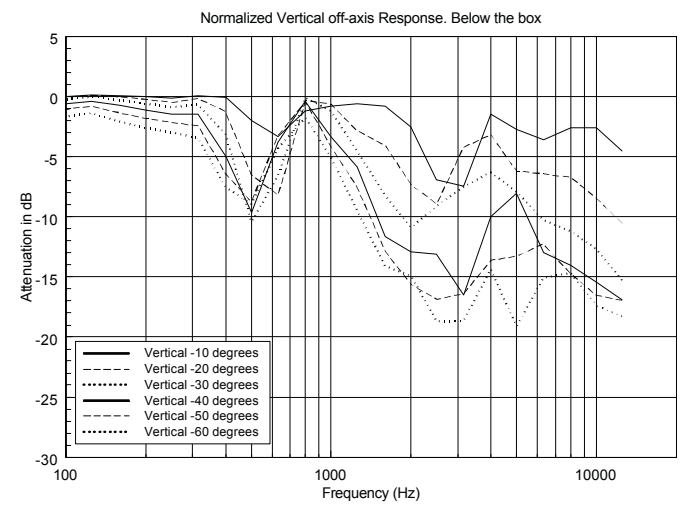
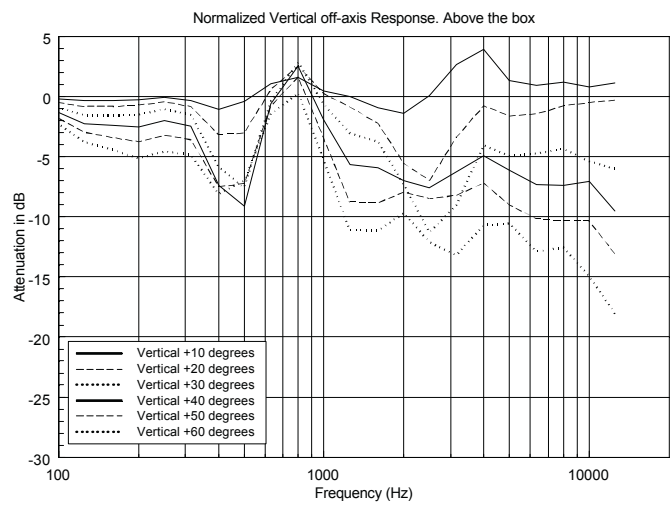
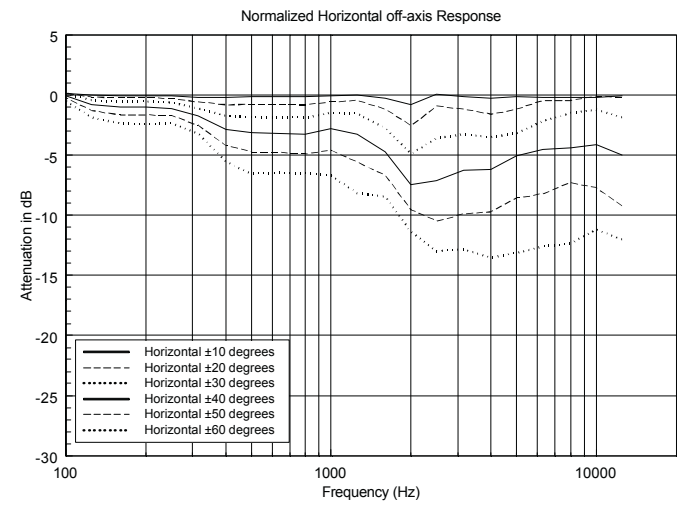
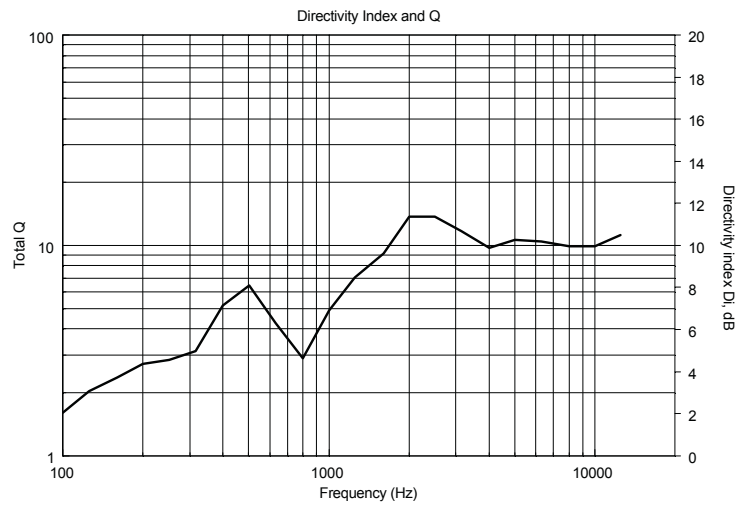
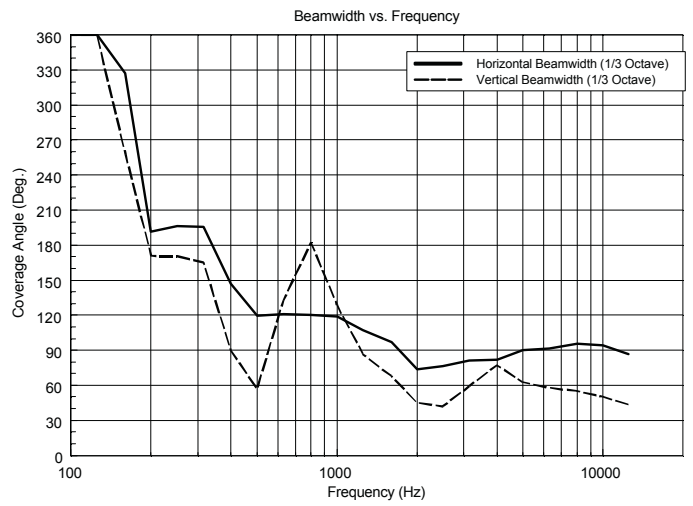
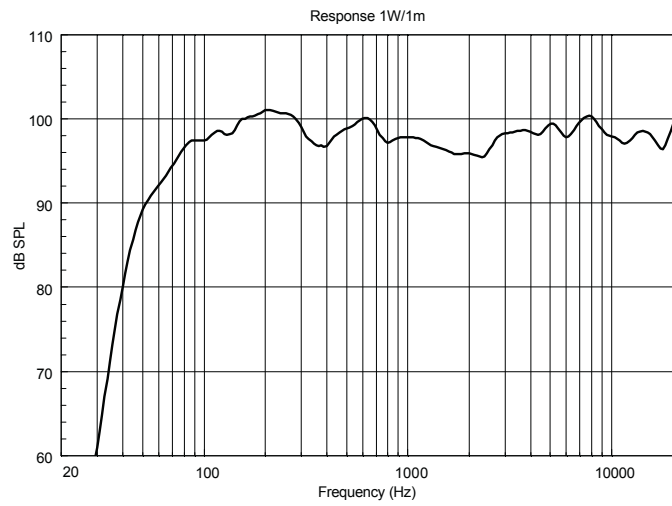
Crossover frequencies:	600Hz / 2800 Hz
Protections:	uC / Protection
Limiter:	fast limiter
Master volume:	yes
Music / Voice eq:	-
Remote control option:	-

AMPLIFIER

Nominal power:	800 Watt
High frequencies:	ab / 50 Watt
Mid frequencies:	H / 150 Watt
Low frequencies:	H / 600 Watt
Cooling:	Forced

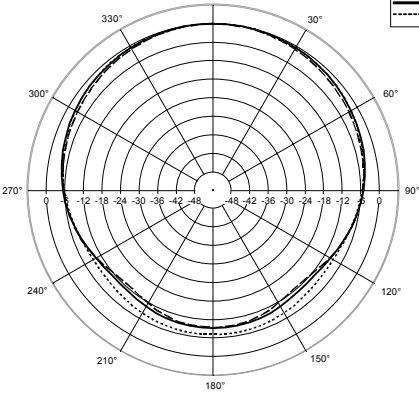
PHYSICAL

Cabinet:	Baltic Birch
Dimensions (HxWxD):	43.11" x 17.91" x 18.50" (1095x455x470 mm)
Weight:	103.61 lbs. (47 kg)
Hardware:	3 M10 flying points
Handles:	2 side
Pole Mount / Cap:	-
Colour:	Black

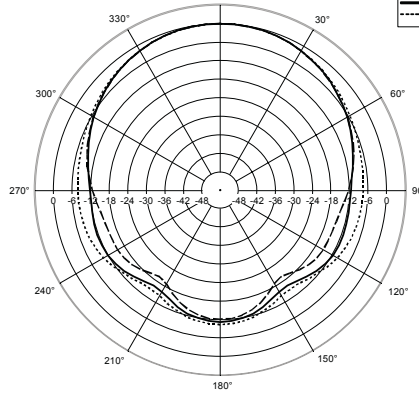


Horizontal 1/3 Polar Plot

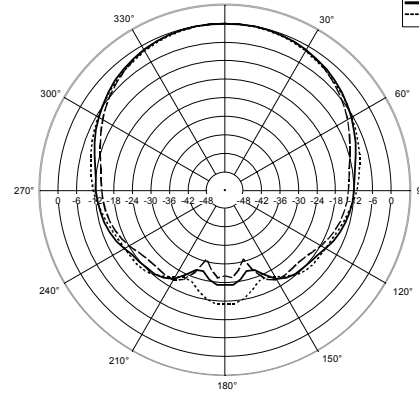
Horizontal 1/3 Octave Polars



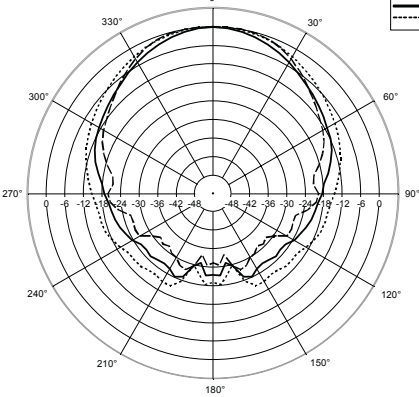
Horizontal 1/3 Octave Polars



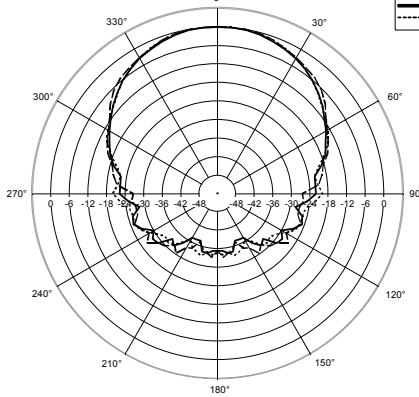
Horizontal 1/3 Octave Polars



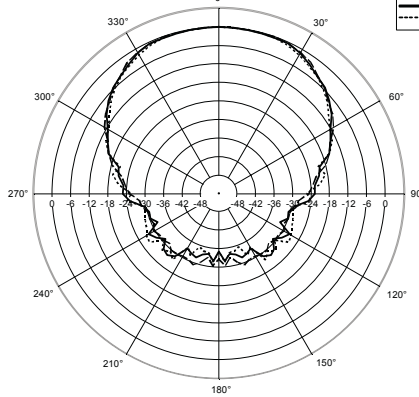
Horizontal 1/3 Octave Polars



Horizontal 1/3 Octave Polars

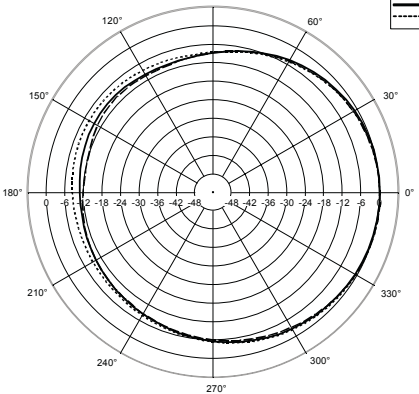


Horizontal 1/3 Octave Polars

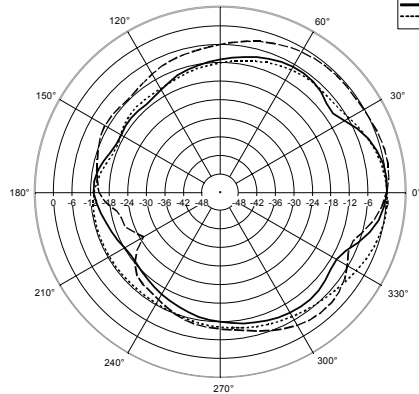


Vertical 1/3 Polar Plot

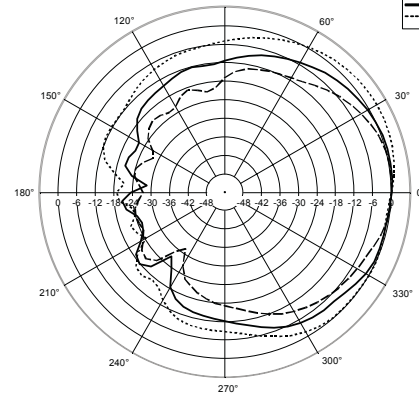
Vertical 1/3 Octave Polars



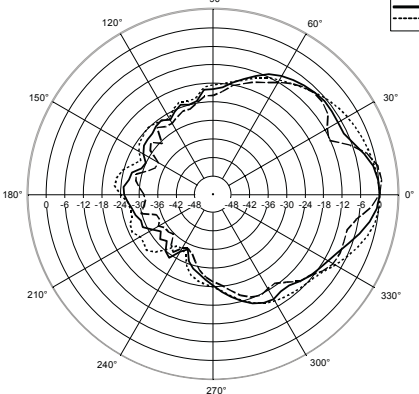
Vertical 1/3 Octave Polars



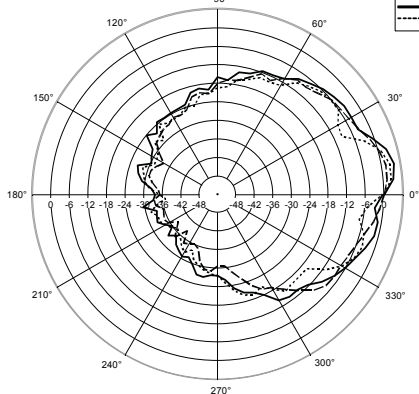
Vertical 1/3 Octave Polars



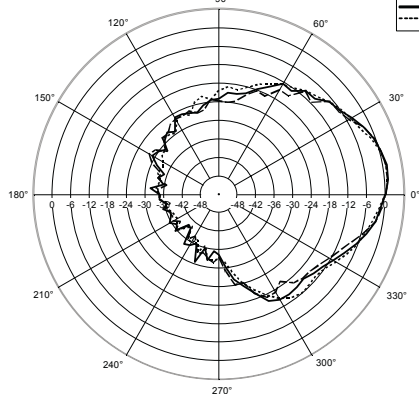
Vertical 1/3 Octave Polars



Vertical 1/3 Octave Polars



Vertical 1/3 Octave Polars



CSI PRODUCT SPECIFICATIONS FOR DESIGNERS, SPECIFIERS, AND CONSULTANTS (ALSO KNOWN AS “A&E SPECIFICATIONS”) The following are “Part 2 Products” CSI-type specifications. It is assumed that “Part 1 General – Administrative and Procedures” and “Part 3 Execution – Installation and Maintenance” are part of an overall audio system or project specification.
PART 2 PRODUCTS

2.01 Approved Manufacturer/Product

A. RCF, Via Raffaello 13, 42010 Mancasale, Reggio Emilia, Italy.

B. Model number: 4PRO 4001-A

2.02 Design

Configuration	3 way speaker
LF Sub-section	15" woofer, 75 mm edge wound aluminium coil
MR Sub-section	6" woofer
HF Sub-section	1" neodymium

2.03 Acoustical Properties

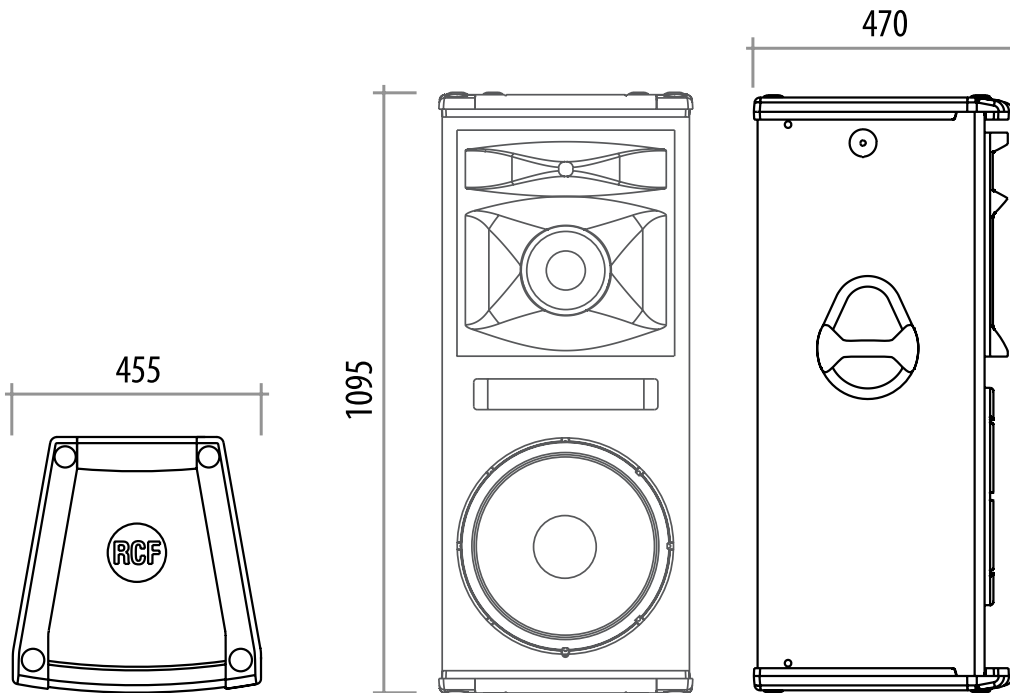
Nominal dispersion angle:	Horizontal: 90° - Vertical: 45°
Axial frequency range:	45Hz-20kHz

2.04 Physical Properties

Cabinet:	Baltic birch
Rigging inserts:	3 M10 fly points
Color:	Black
Grille:	Custom perforated steel grille with open-cell poly fiber backing
Input Connectors:	jack/xlr
Dimensions (H x W x D):	43.11" x 17.91" x 18.50" (1095x455x470 mm)
Weight:	103.61 lbs. (47 kg)

2.05 Accessories

AC KP-6001	Kit pair of wood panels for trolley 4PRO 3001/4001/6001
AC WK-FX	Kit No 4 Fixed Castor 80mm/3" Dia Black Wheel with Roller Bearings. Carrying Weight per Wheel 60 Kg/130 lbs.
AC WK-SW	Kit No 4 Swivel Castor, 80mm/3" Dia Black Wheel with Roller Bearings. Carrying Weight per wheel 60 kg/130 lbs.



RCF SpA Italy:
tel. +39 0522 274 411
fax +39 0522 232 428
www.rcfaudio.com
e-mail: info@rcf.it

RCF UK Sales Office:
tel. +44 7005 402181
e-mail: info@rcfaudio.co.uk

RCF France Sales Office:
tel. +33 6 07501800
e-mail: rcfrance@aol.com

RCF Germany Sales Office:
tel. +49 2203 925370
e-mail: germany@rcf.it

RCF USA Sales Office:
tel. +1 (603) 926 4604
e-mail: rcf-usa@comcast.net