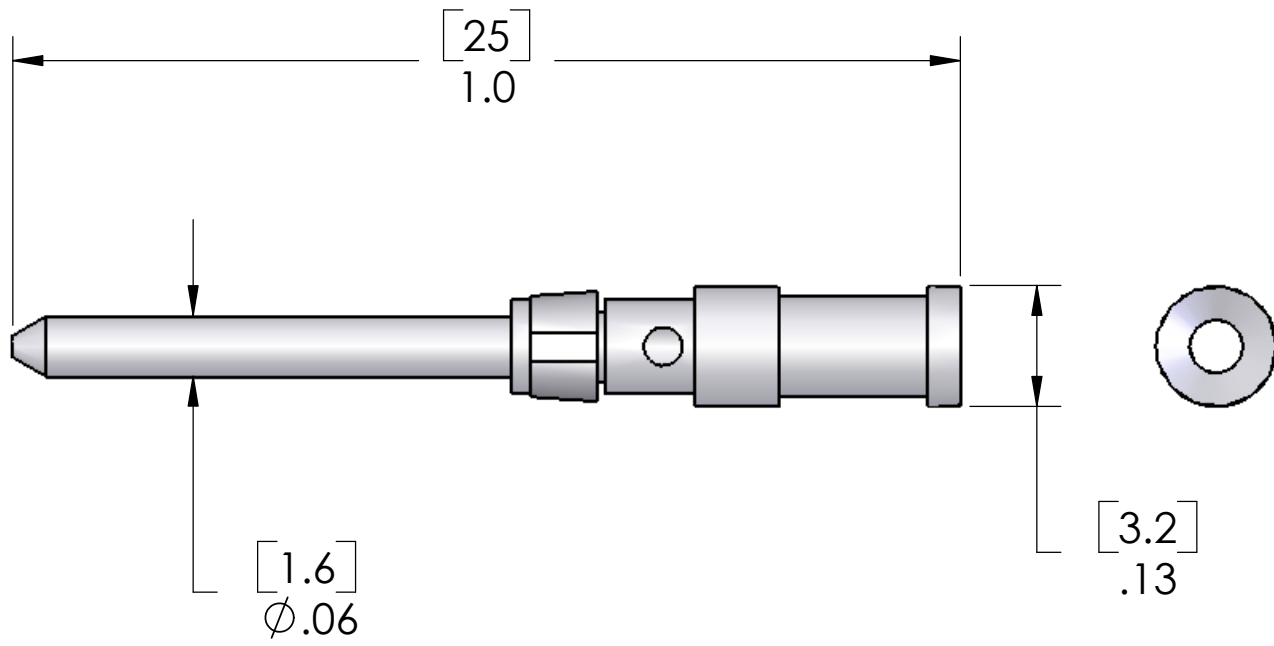


REVISIONS			
REV.	DESCRIPTION	DATE	APPROVED
A	redrawn in sw	5/31/2005	



PART NUMBER	WIRE AWG	SQ. MM
CDMA-0.3	22 - 26	0.3
CDMA-0.5	20	0.5
CDMA-0.7	18	0.75
CDMA-1.0	18	1
CDMA-1.5	16	1.5
CDMA-2.5	14	2.5

SUGGESTED WIRE STRIP: 0.31 [8]

MATERIALS	
BODY:	SILVER PLATED COPPER ALLOY
CLIP:	STAINLESS STEEL

PROPRIETARY AND CONFIDENTIAL
 THE INFORMATION CONTAINED IN THIS DRAWING IS THE SOLE PROPERTY OF MENCOM CORPORATION. ANY REPRODUCTION IN PART OR AS A WHOLE WITHOUT THE WRITTEN PERMISSION OF MENCOM CORPORATION IS PROHIBITED.

UNLESS OTHERWISE SPECIFIED:
 DIMENSIONS ARE IN INCHES AND [MM]
 MATERIAL
 FINISH
 DO NOT SCALE DRAWING

NAME	BEM
DRAWN	
CHECKED	
ENG APPR.	
MFG APPR.	
Q.A.	
COMMENTS:	

MENCOM CORPORATION		
TITLE:		
SIZE	DWG. NO.	REV
B	CDMA-X.X	A
SCALE: 5:1	WEIGHT:	SHEET 1 OF 1