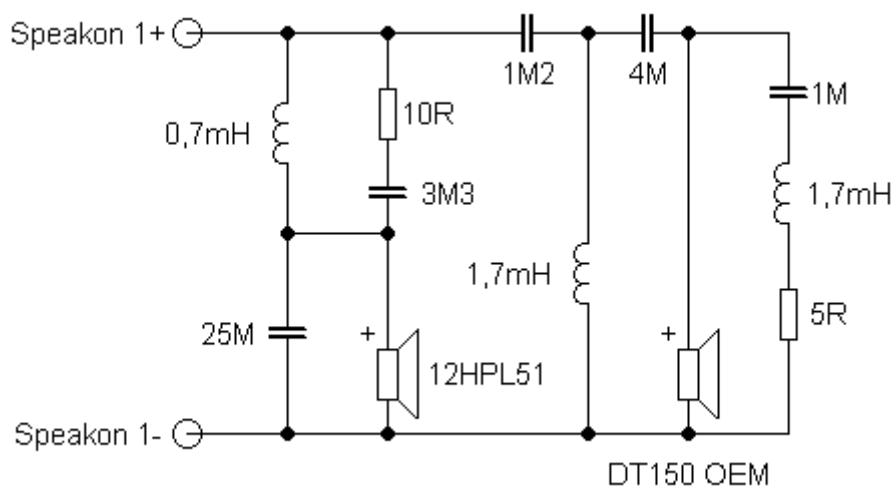


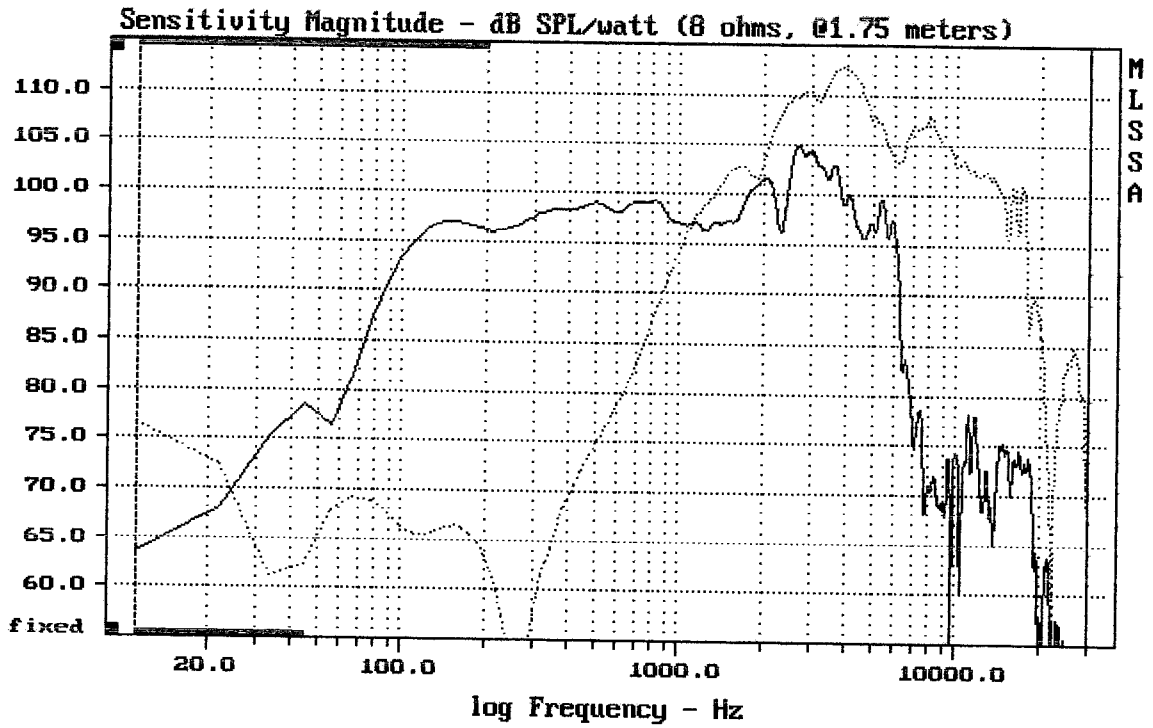
## Sestava B&C Speakers 12HPL51 + Selenium DT150 OEM + Megaton A9090

### Osazení:

- B&C Speakers 12HPL51 8/Ohm  
<http://eshop.prodance.cz/DetailPage.asp?DPG=82702>
- Selenium DT150 OEM 8/Ohm  
<http://eshop.prodance.cz/DetailPage.asp?DPG=82056>
- Megaton A9090  
<http://eshop.prodance.cz/DetailPage.asp?DPG=83920>

### Schéma výhybky:





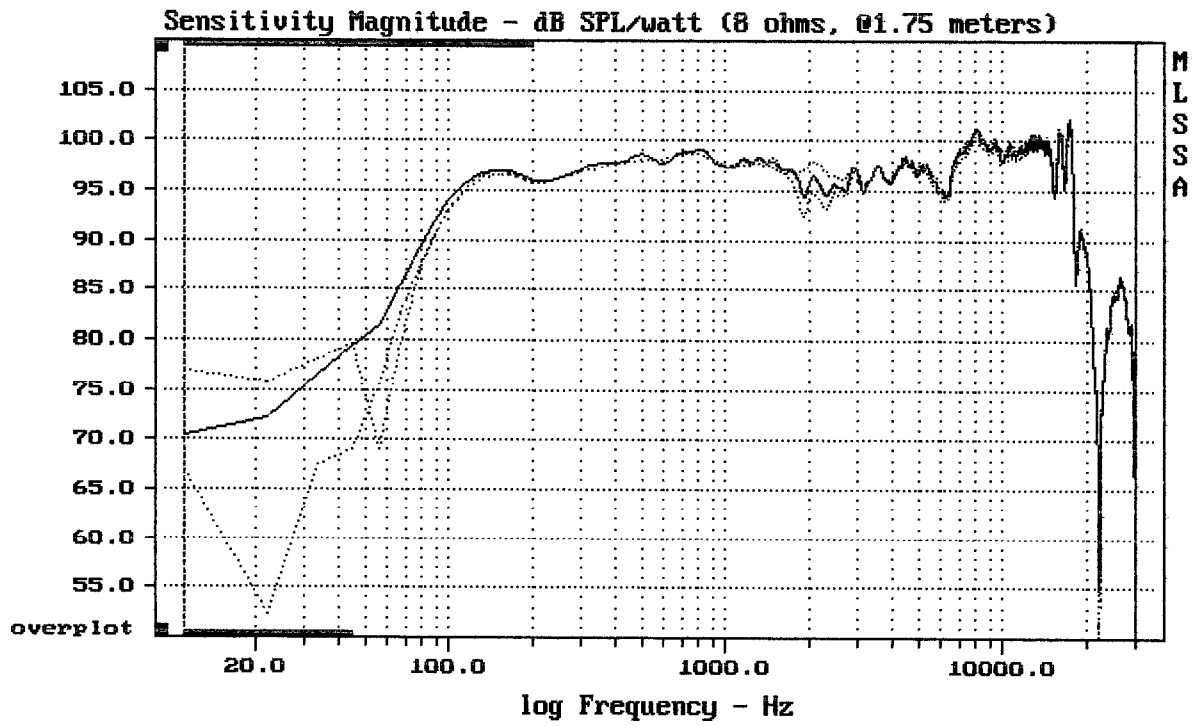

---

CURSOR: dy = 38.616 x = 30007.1014 (2704)

---

12HPL51 + DT150 + A9090

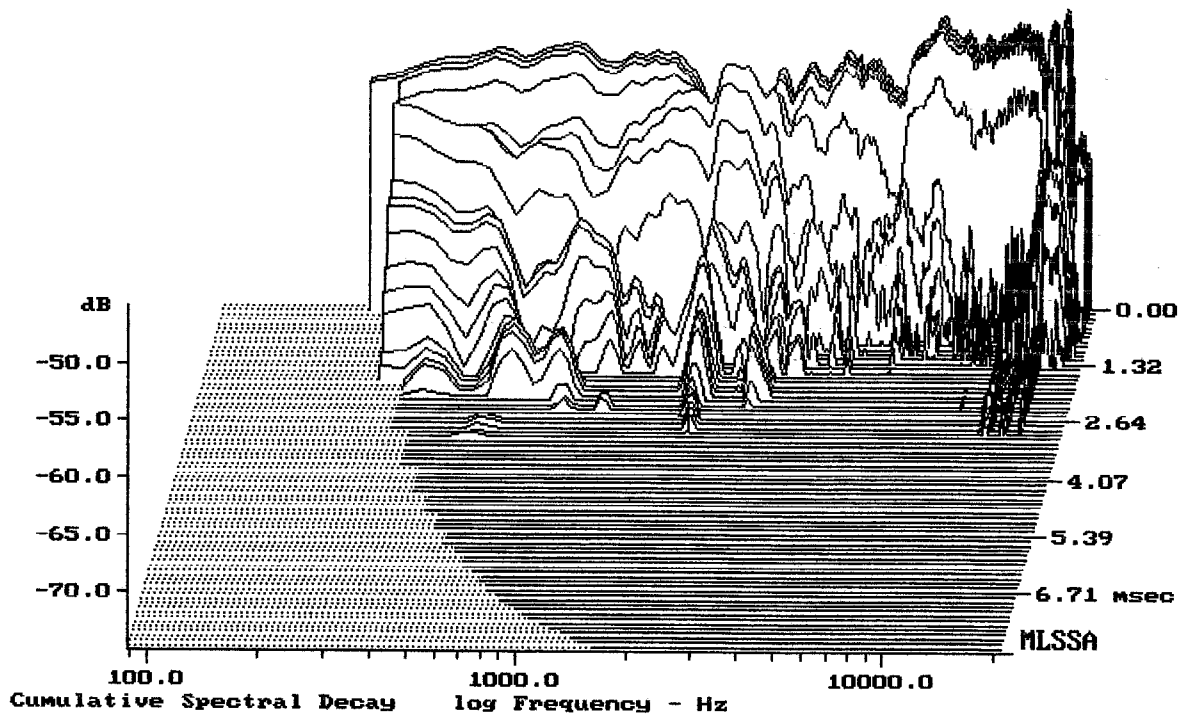
MLSSA: Frequency Domain



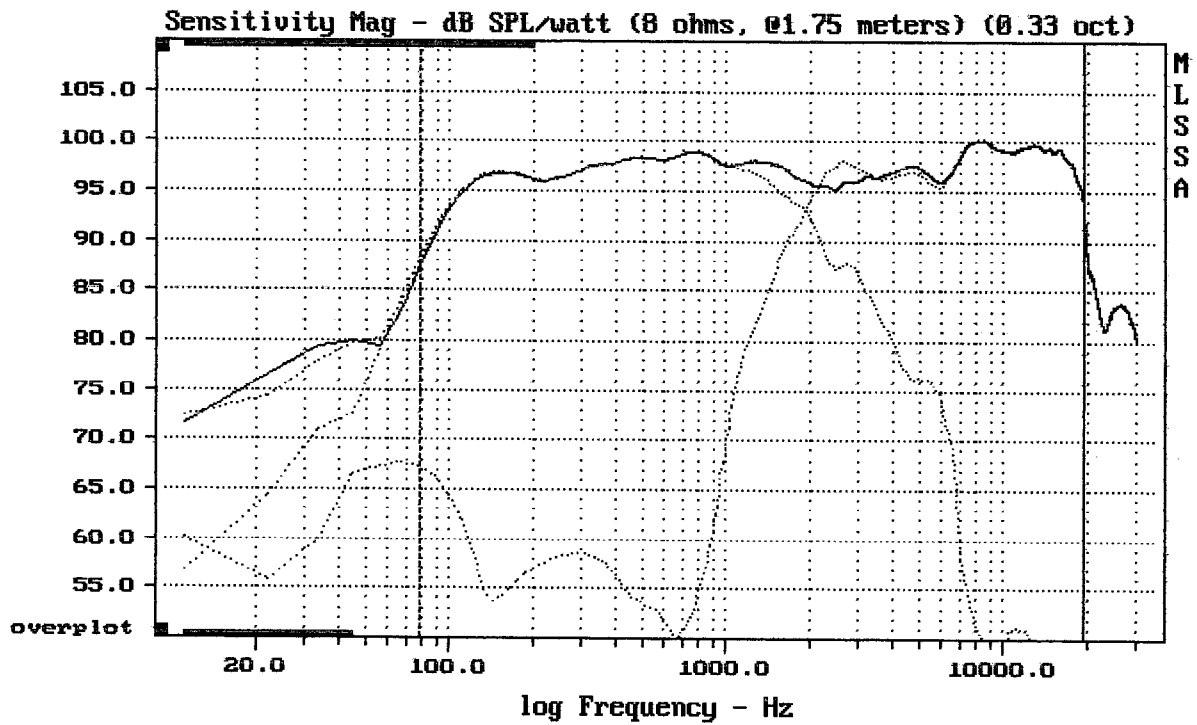
CURSOR: y = 79.3244 x = 30007.1014 (2704)

12HPL51 + DT150 + A9090

MLSSA: Frequency Domain



-73.95 dB, 1998 Hz (45), 2.860 msec (27)



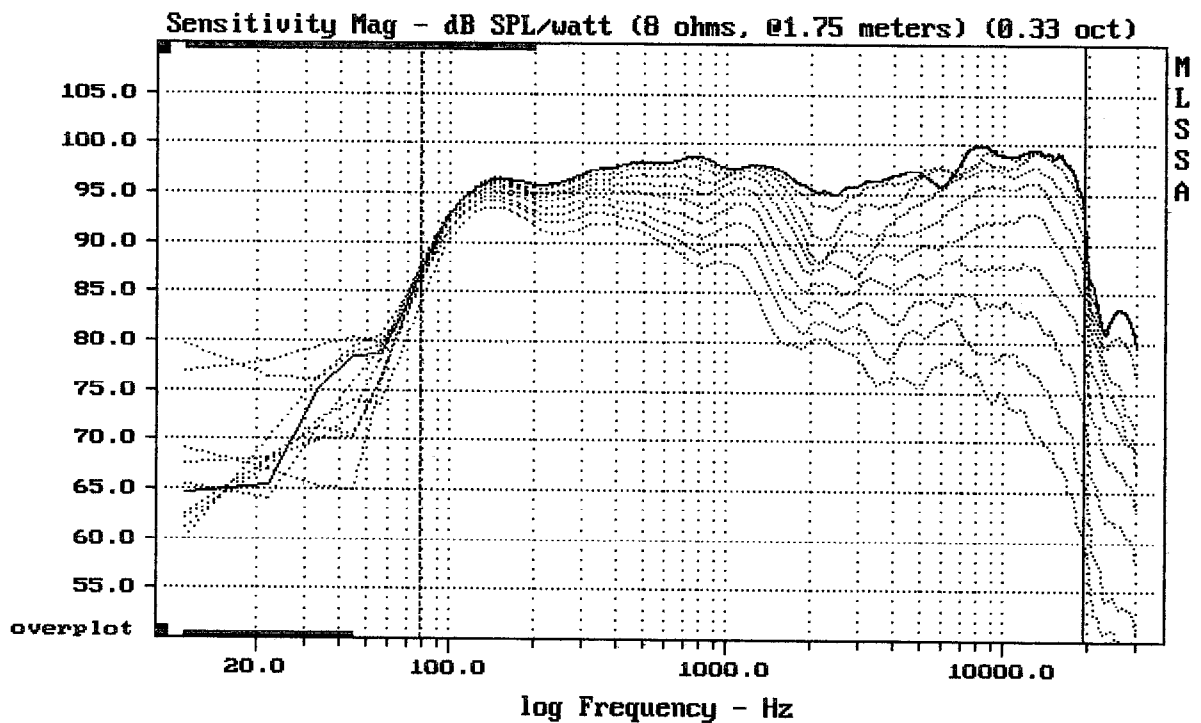

---

Level (78:19509 Hz) = 97.42 dB SPL/watt (8 ohms, @1.75 meters) (0.33 oct)

---

12HPL51 + DT150 + A9090

MLSSA: Frequency Domain




---

Overlay Compare: dev= +22/-9.9, std= 6.8, avg= -24

---

12HPL51 + DT150 + A9090