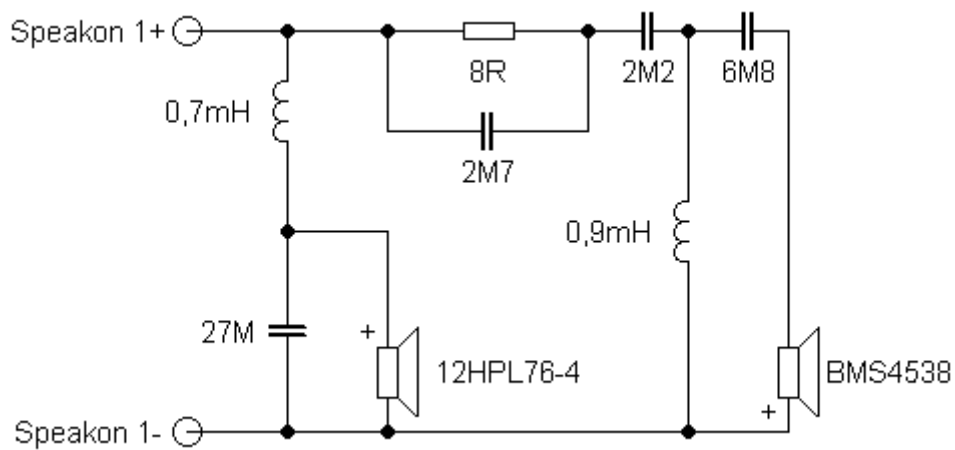


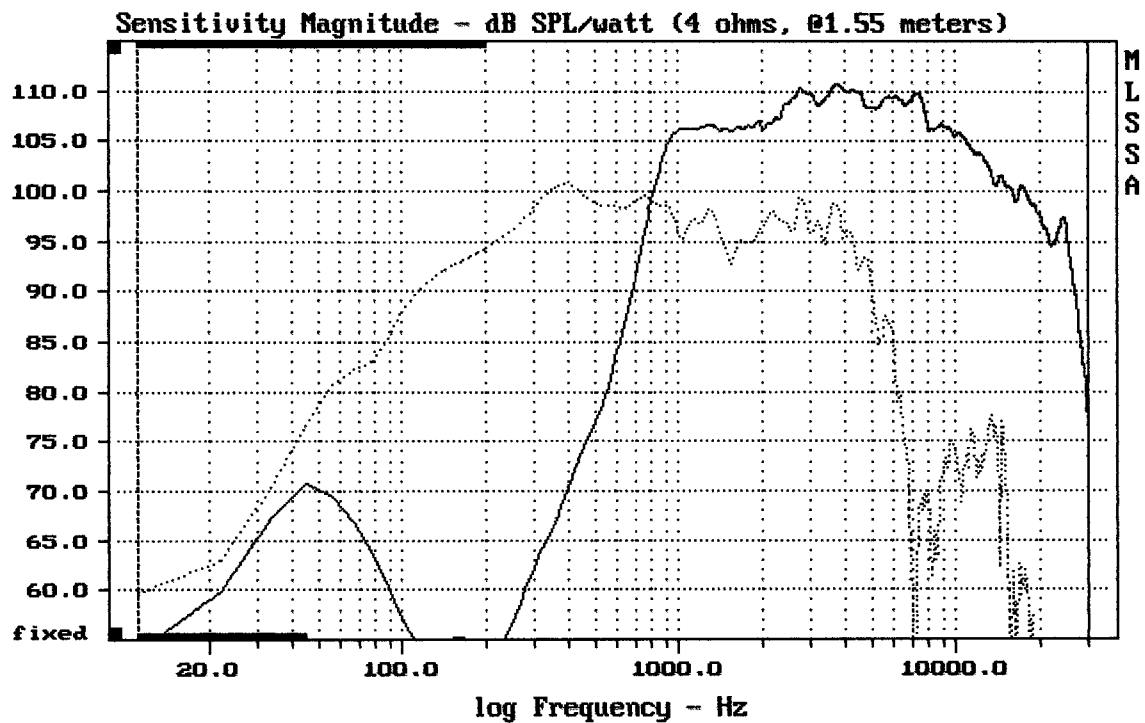
Sestava B&C Speakers 12HPL76-4 + BMS 4538 + B&C Speakers ME45

Osazení:

- B&C Speakers 12HPL76-4 4/Ohm
<http://eshop.prodance.cz/DetailPage.asp?DPG=82709>
- BMS 4538 8/Ohm
<http://eshop.prodance.cz/DetailPage.asp?DPG=87248>
- B&C Speakers ME45
<http://eshop.prodance.cz/DetailPage.asp?DPG=79828>

Schéma výhybky:

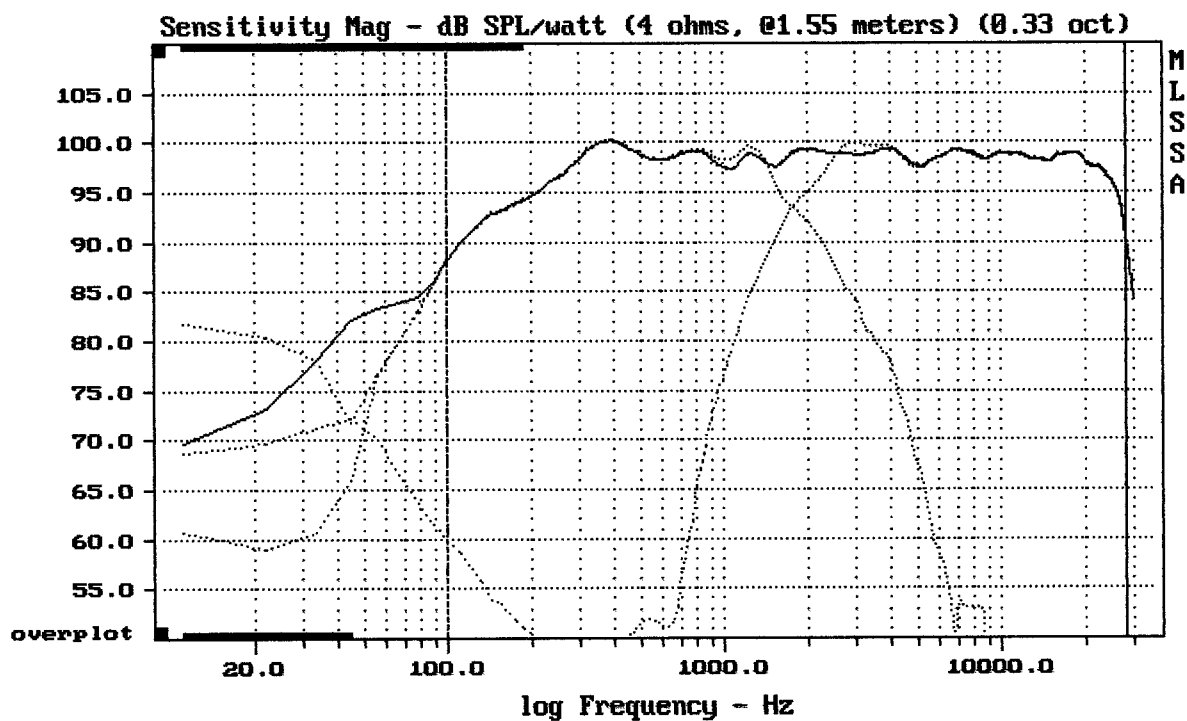




CURSOR: dy = -42.1407 x = 30007.1014 (2704)

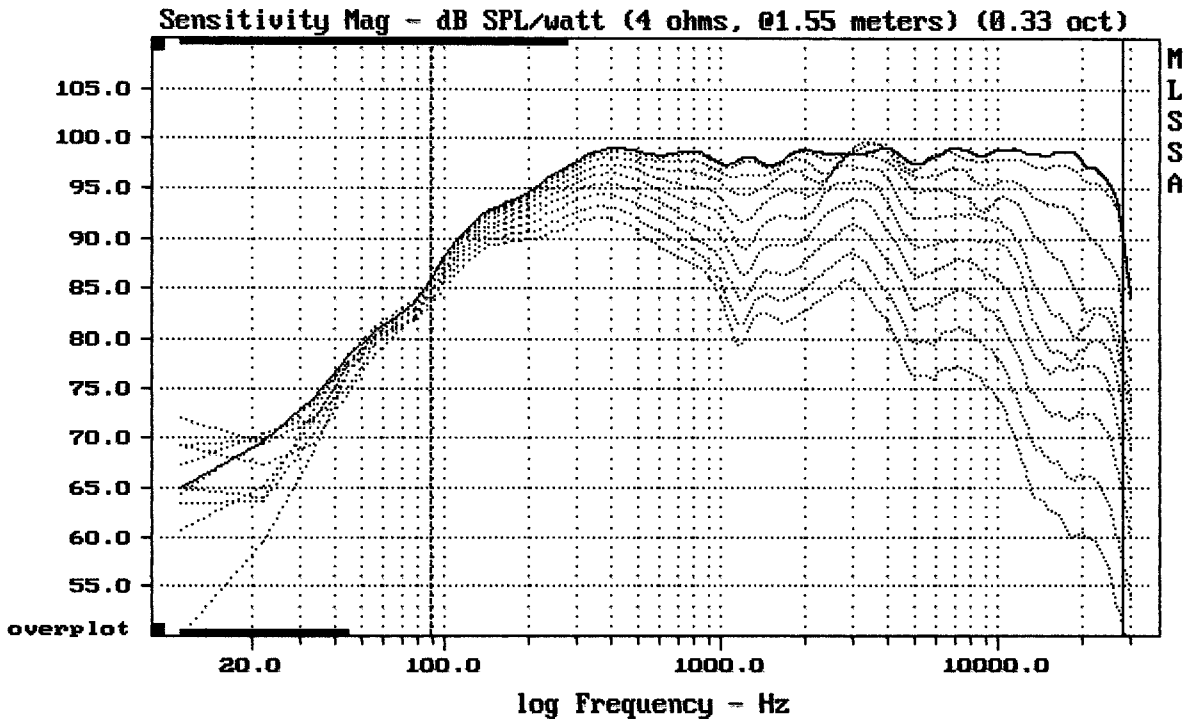
12HPL76-4 + BMS4538 + ME45

MLSSA: Frequency Domain



Level (100:28010 Hz) = 98.03 dB SPL/watt (4 ohms, @1.55 meters) (0.33 oct)

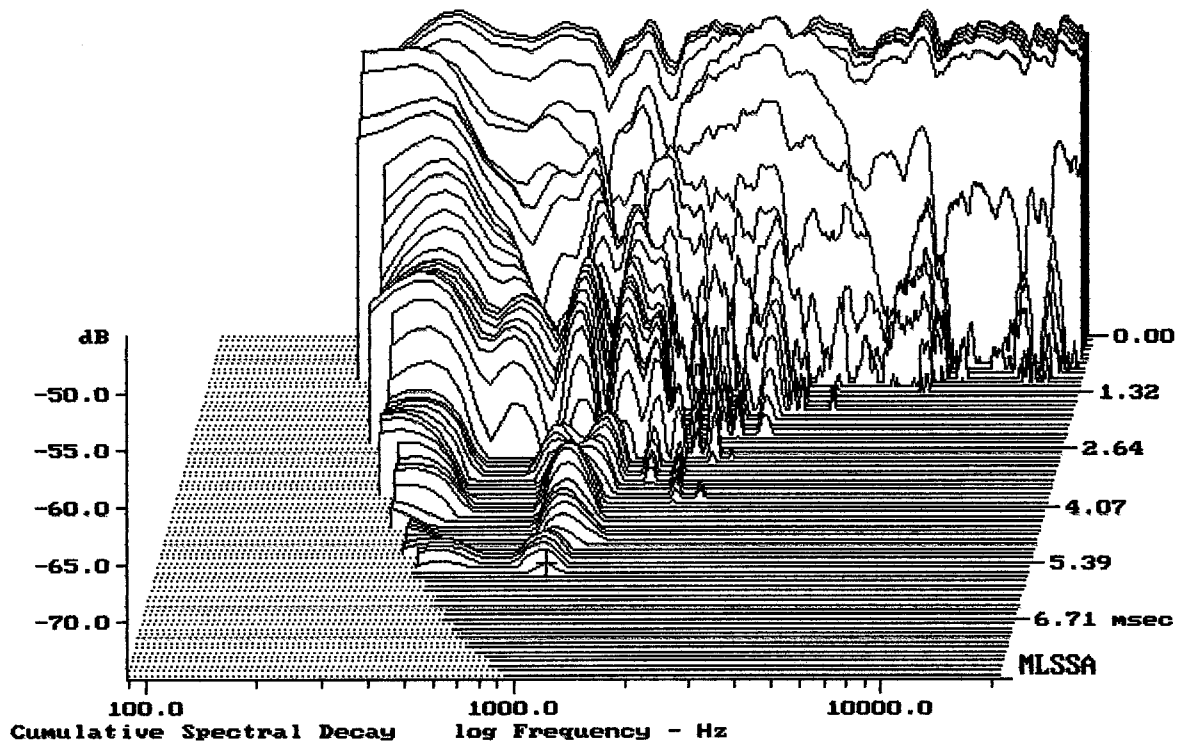
12HPL76-4 + BMS4538 + ME45



Overlay Compare: dev= +27/-11, std= 9.4, avg= -30

12HPL76-4 + BMS4538 + ME45

MLSSA: Frequency Domain



-74.28 dB, 1021 Hz (23), 5.610 msec (52)