

## Sestava B&C Speakers 12PH32 + DE12 + RCF H100

### *Osazení:*

- B&C Speakers 12PH32 8/Ohm

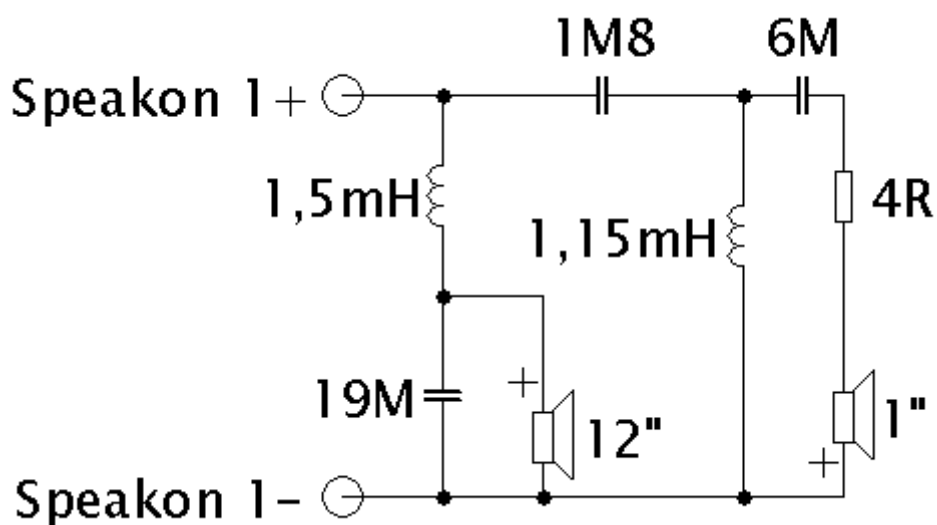
- B&C Speakers DE12 8/Ohm

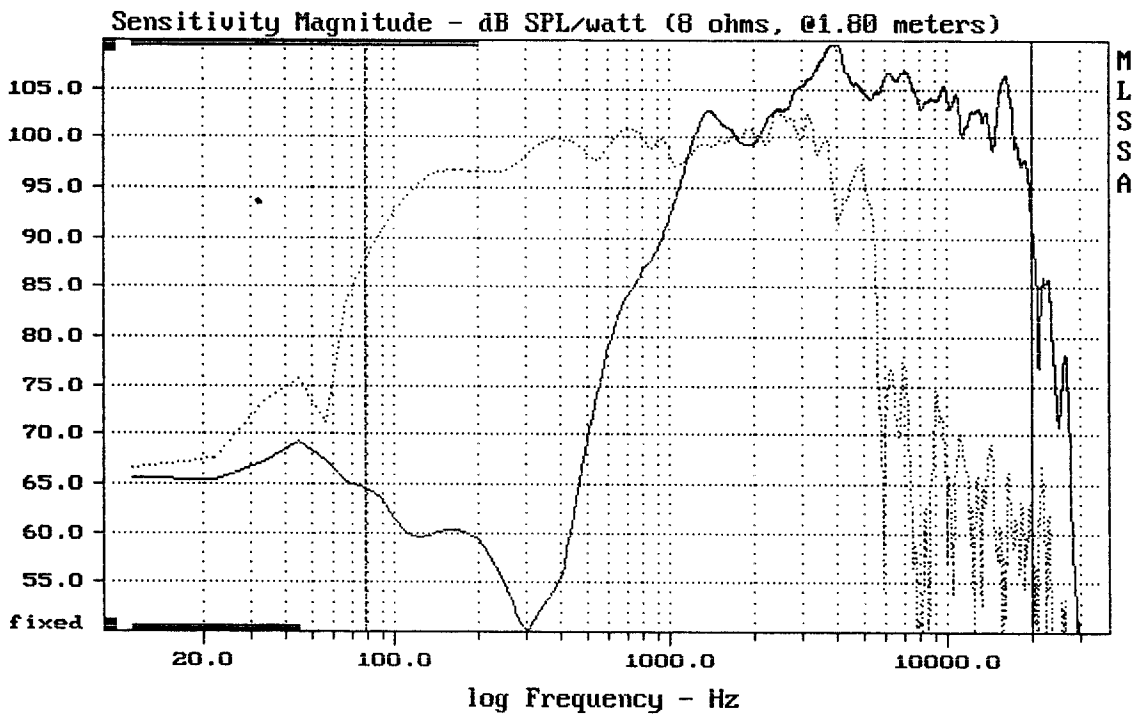
<http://eshop.prodance.cz/DetailPage.asp?DPG=82296>

- RCF H100

<http://eshop.prodance.cz/DetailPage.asp?DPG=81599>

### *Schéma výhybky:*

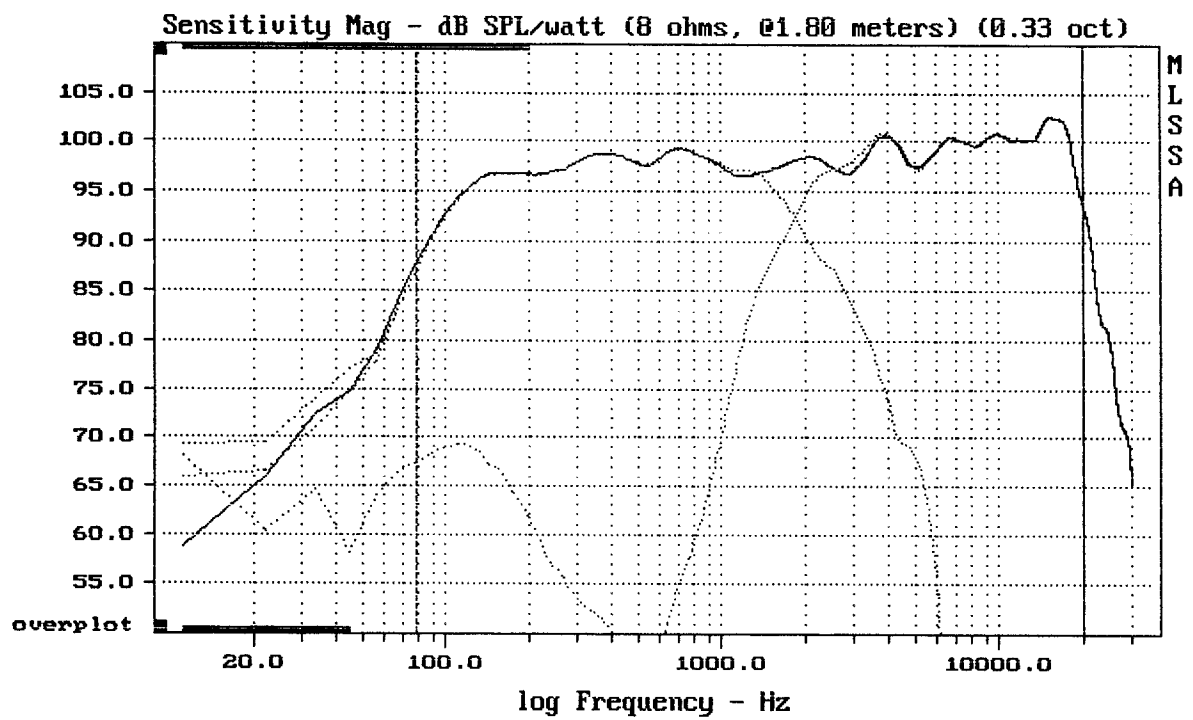




CURSOR: dy = -31.6714 x = 19997.3360 (1802)

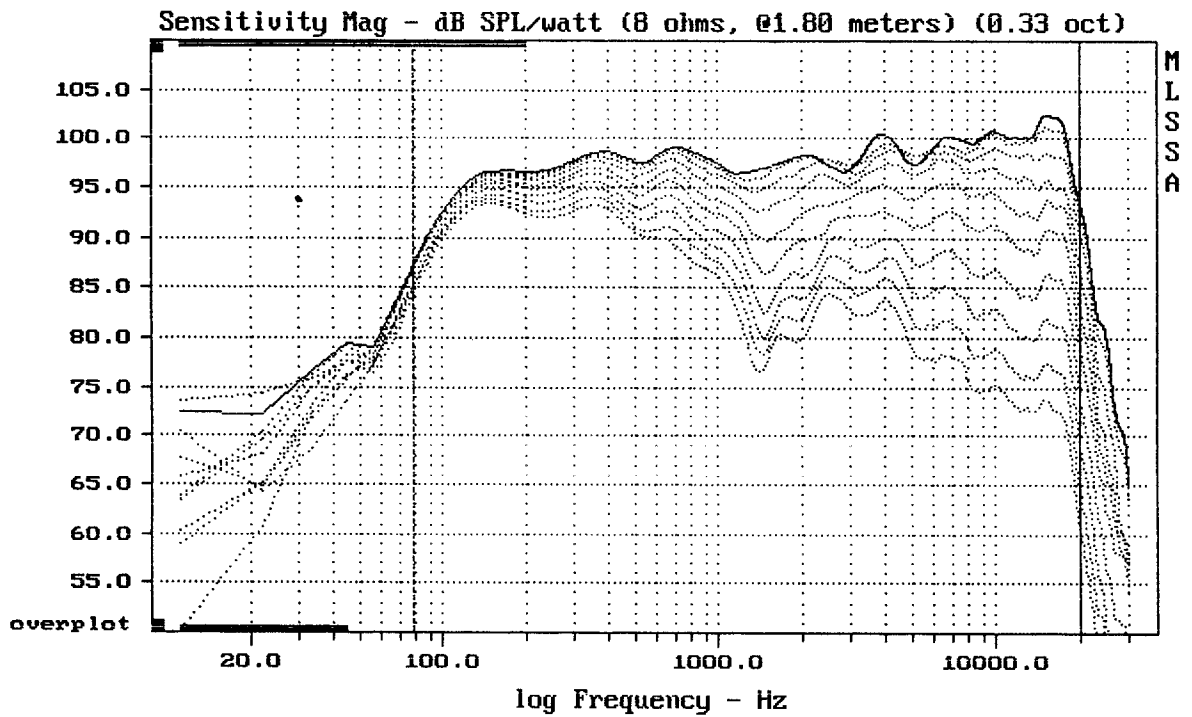
12PH32+DE12+H100

MLSSA: Frequency Domain



Level (78:19997 Hz) = 98.35 dB SPL/watt (8 ohms, @1.80 meters) (0.33 oct)

12PH32+DE12+H100

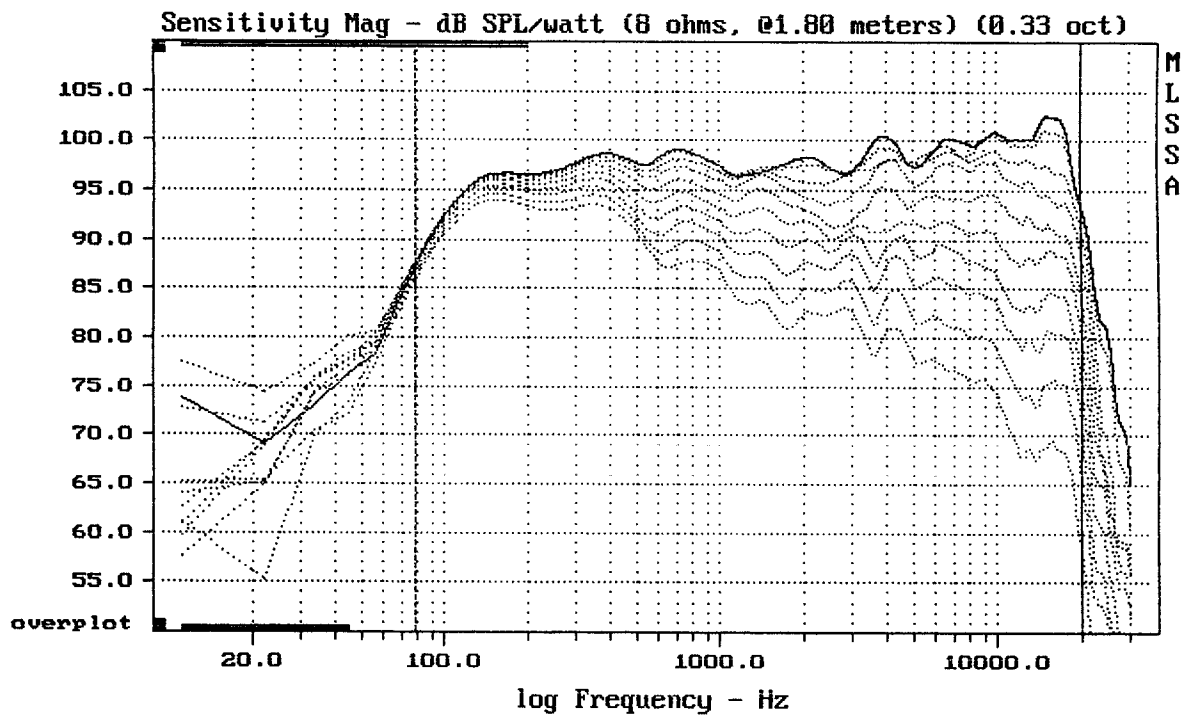


Overlay Compare: dev= +21/-8.8, std= 6.2, avg= -24

12PH32+DE12+H100

měřeno od horny

MLSSA: Frequency Domain



Overlay Compare: dev= +24/-9.2, std= 7.7, avg= -26

12PH32+DE12+H100

měřeno od bassreflexu