

## Sestava 2x Eminence Delta-15 + Fane CD150 + Megaton A8065

### Osazení:

- 2x Eminence Delta-15 8/Ohm

<http://eshop.prodance.cz/DetailPage.asp?DPG=82362>

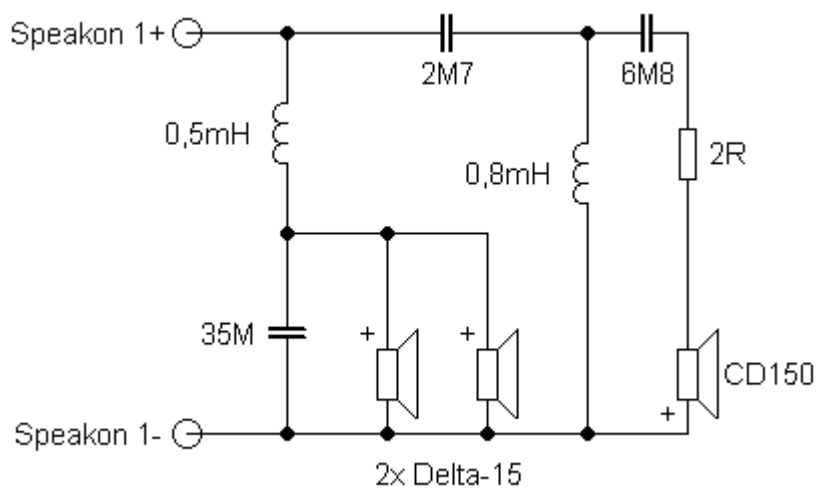
- Fane CD150 8/Ohm

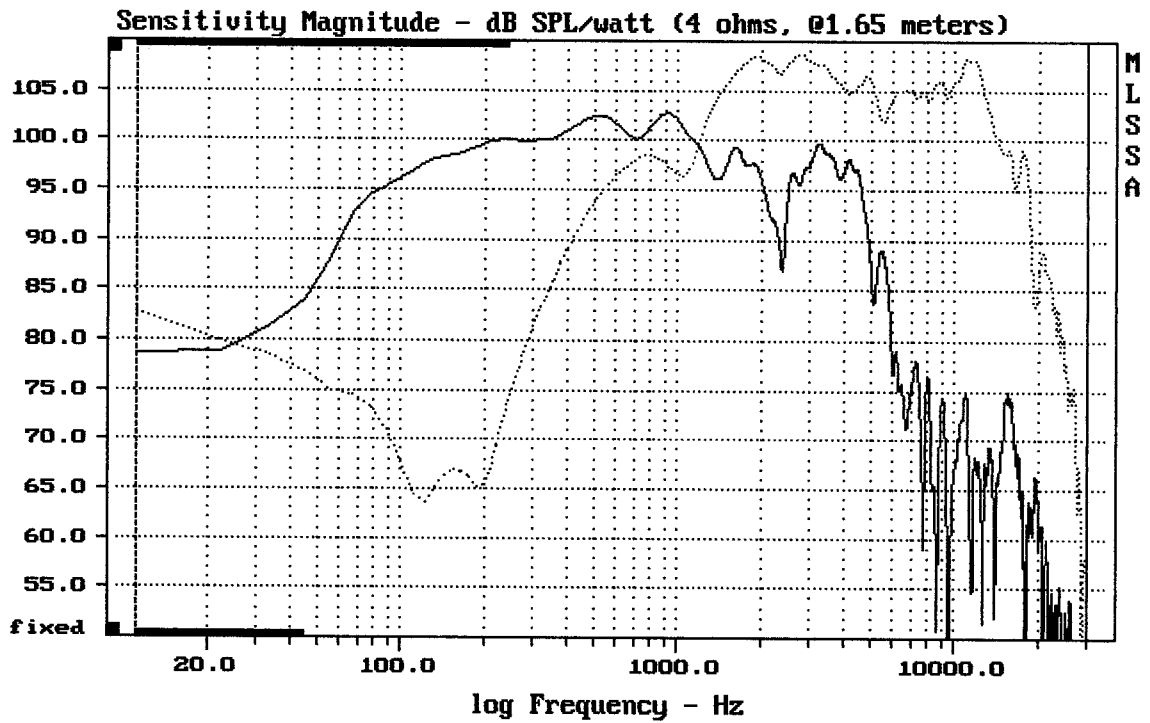
<http://eshop.prodance.cz/DetailPage.asp?DPG=90670>

- Megaton A8065

<http://eshop.prodance.cz/DetailPage.asp?DPG=83915>

### Schéma výhybky:

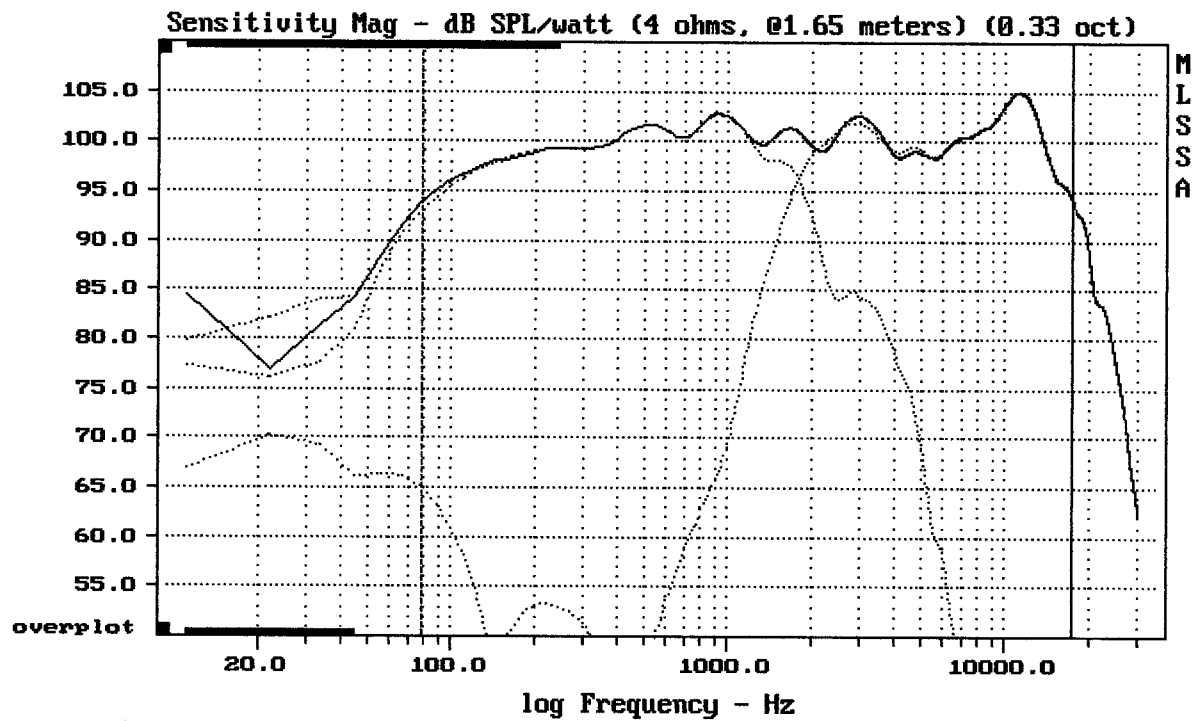




CURSOR: dy = 11.9178 x = 30007.1014 (2704)

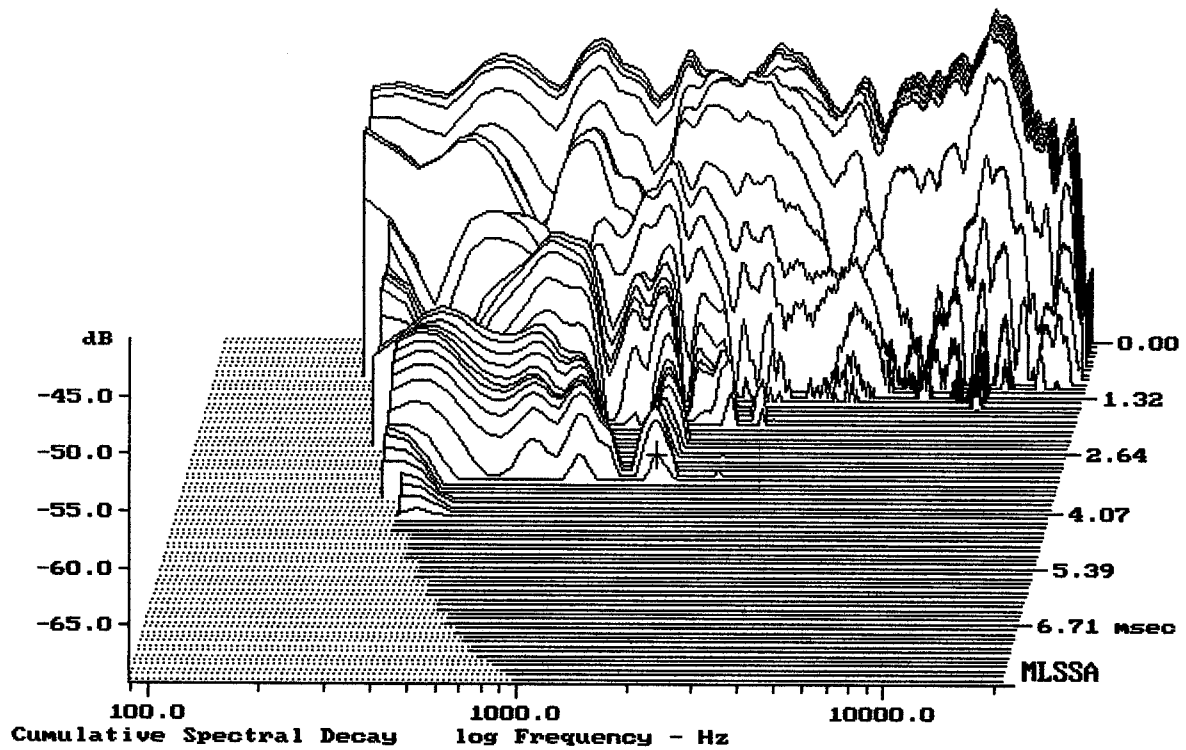
2xDELTA 15 + CD150 + A8065

MLSSA: Frequency Domain



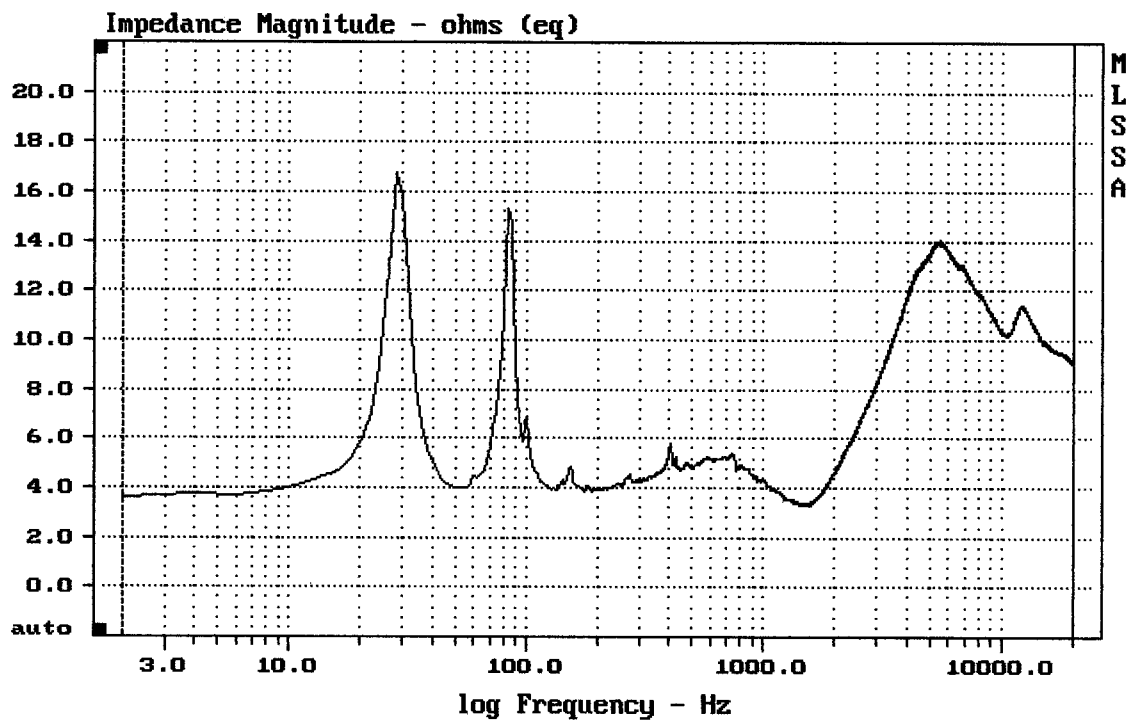
Level (78:17500 Hz) = 100.35 dB SPL/watt (4 ohms, @1.65 meters) (0.33 oct)

2xDELTA 15 + CD150 + A8065



-67.76 dB, 1687 Hz (38), 3.300 msec (31)

DTTO



mean: 10, rms: 10.31, std: 2.51, max: 16.8, min: 3.28