

Sestava Ciare COD + B&C Speakers DE10 + ME10

Osazení:

- Ciare COD 8/Ohm

<http://eshop.prodance.cz/DetailPage.asp?DPG=90805>

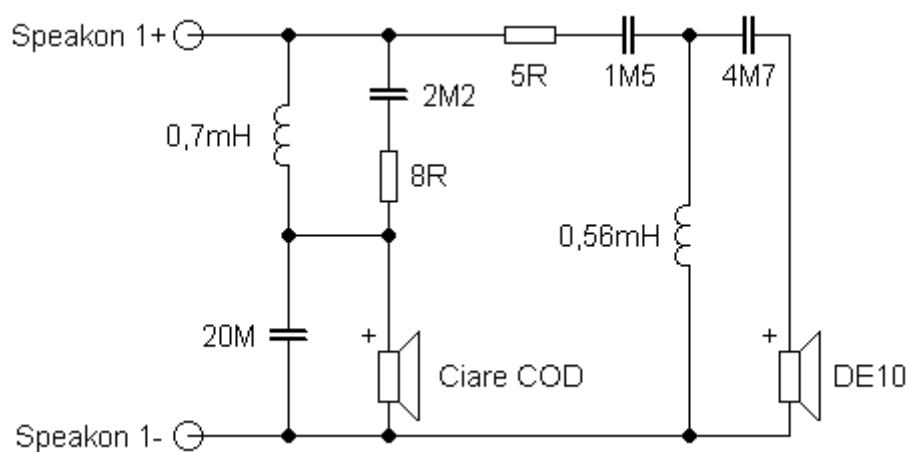
- B&C Speakers DE10 8/Ohm

<http://eshop.prodance.cz/DetailPage.asp?DPG=82290>

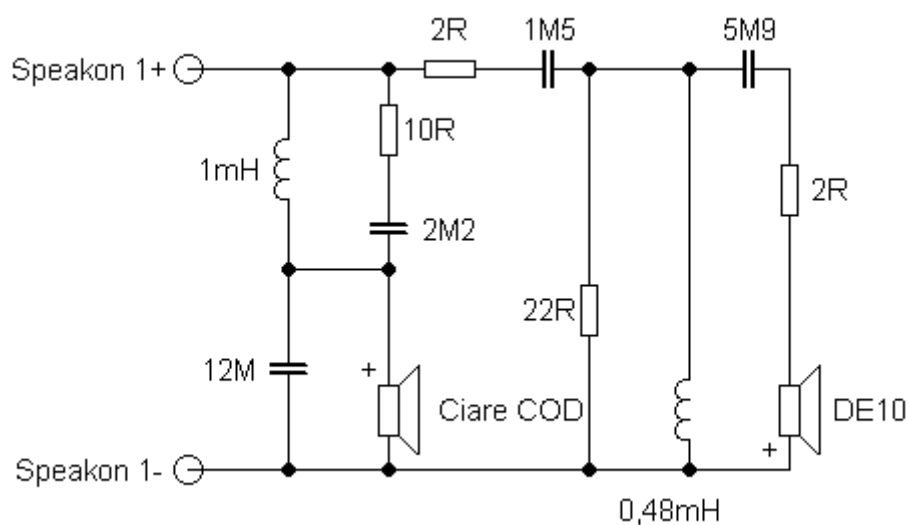
- B&C Speakers ME10

<http://eshop.prodance.cz/DetailPage.asp?DPG=79956>

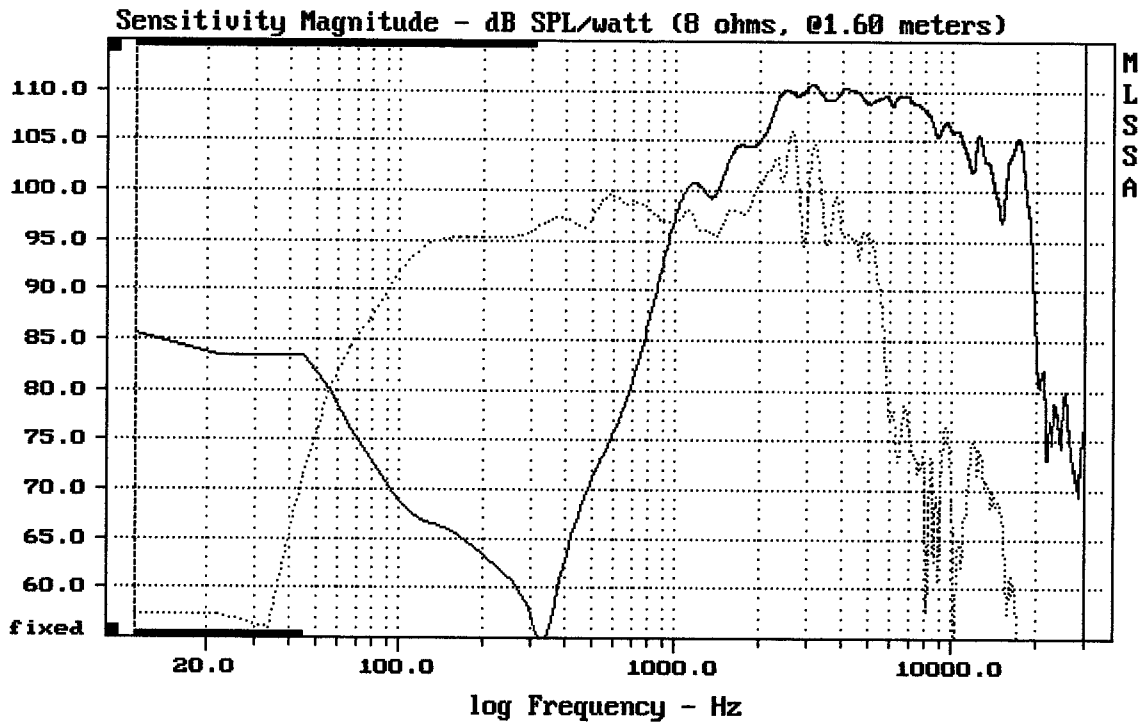
Schémata výhybek:



Variantá I.



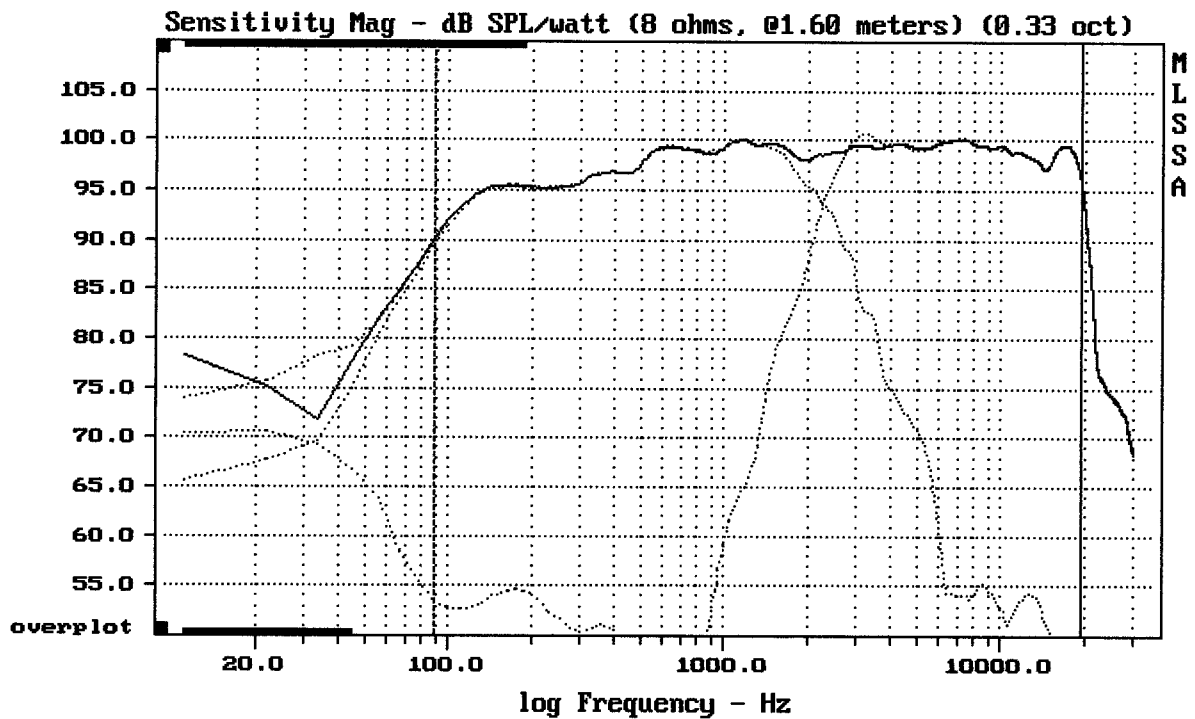
Variantá II.



CURSOR: $dy = -28.5329$ $x = 30007.1014$ (2704)

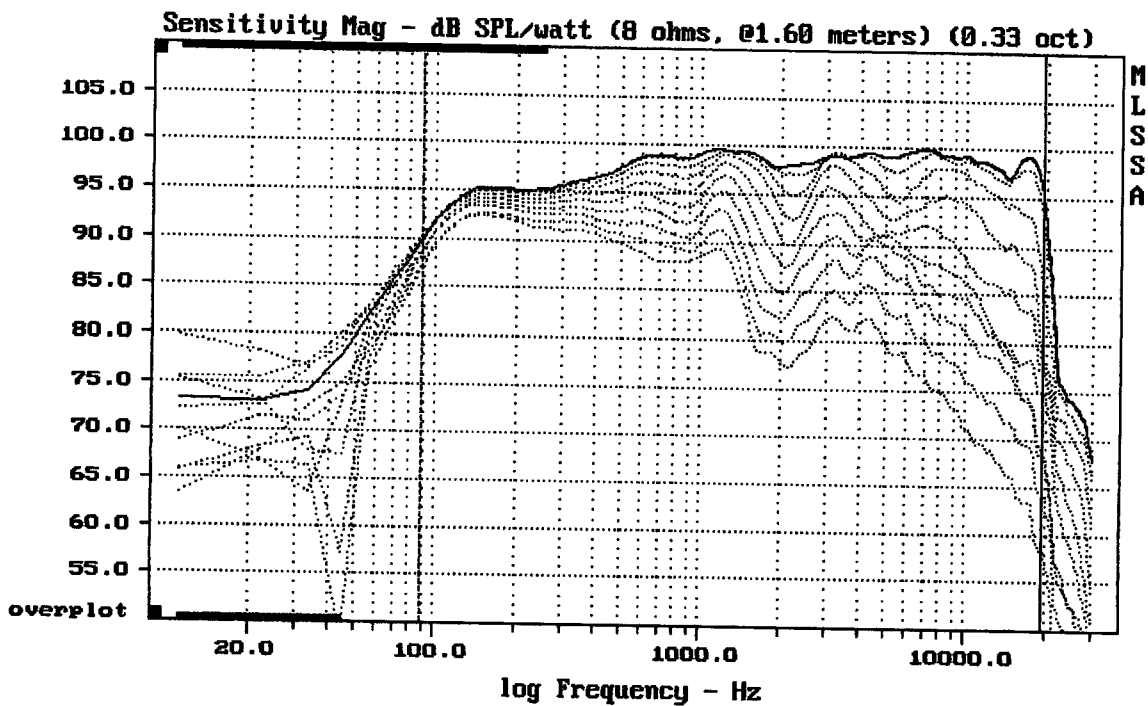
12" CIARE COD + DE10 + ME10

MLSSA: Frequency Domain



Level (89:19509 Hz) = 98.27 dB SPL/watt (8 ohms, @1.60 meters) (0.33 oct)

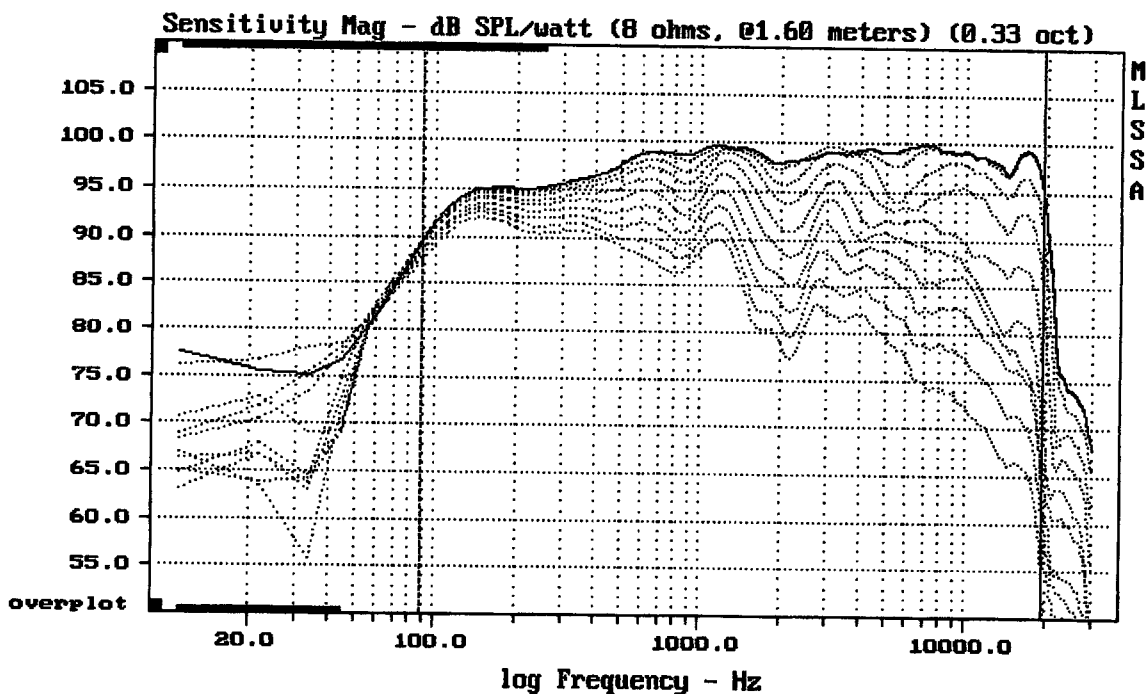
12" CIARE COD + DE10 + ME10



Overlay Compare: dev= +24/-13, std= 8, avg= -26

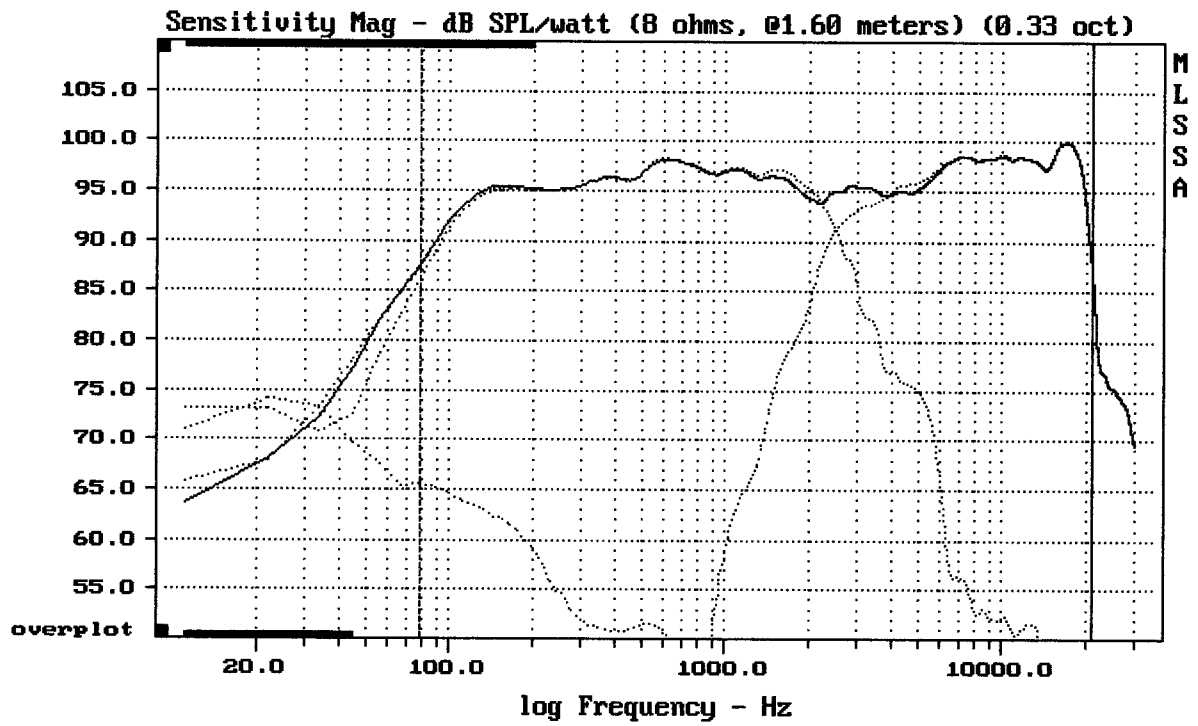
12" CIARE COD + DE10 + ME10

MLSSA: Frequency Domain



Overlay Compare: dev= +24/-16, std= 7.5, avg= -26

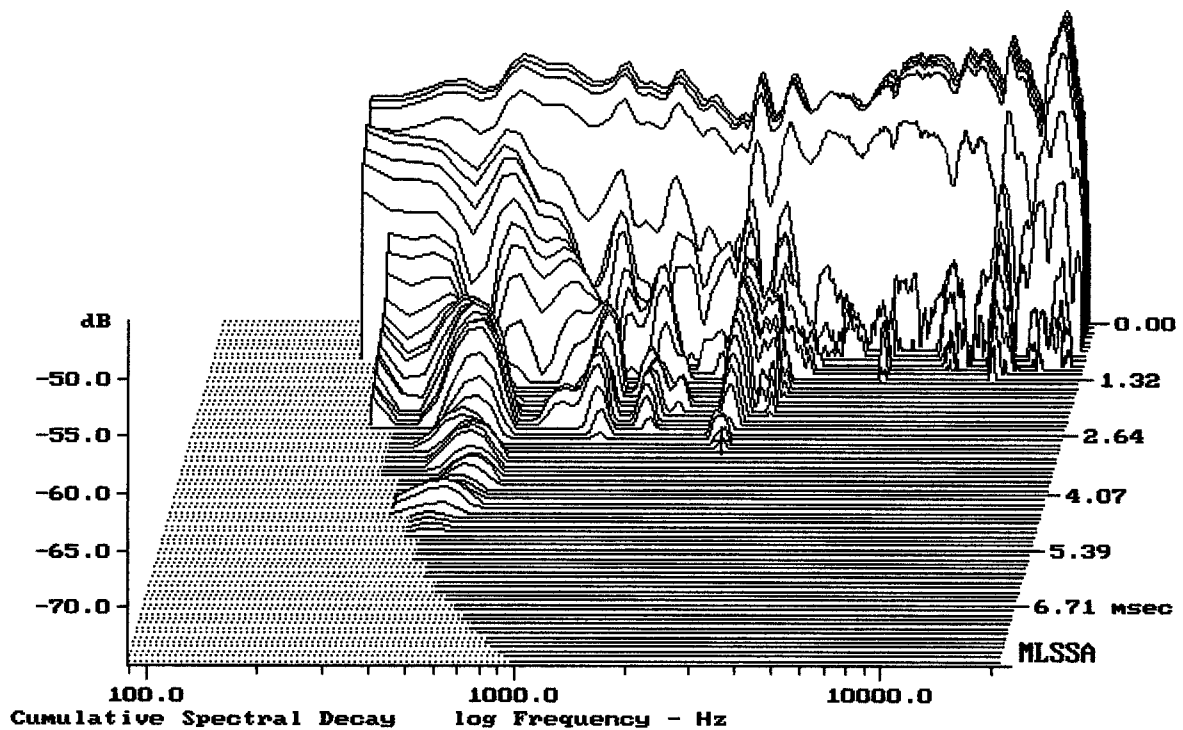
12" CIARE COD + DE10 + ME10



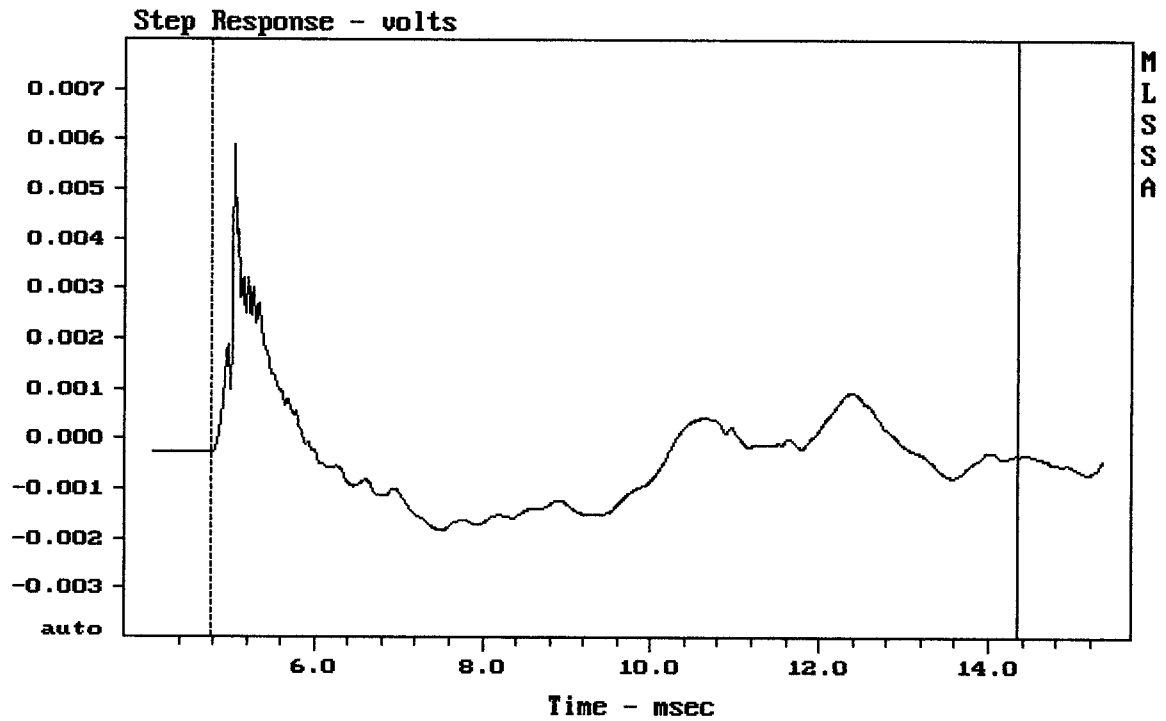
Level (78:21007 Hz) = 96.37 dB SPL/watt (8 ohms, @1.60 meters) (0.33 oct)

12" CIARE COD + DE10 + ME10

MLSSA: Frequency Domain



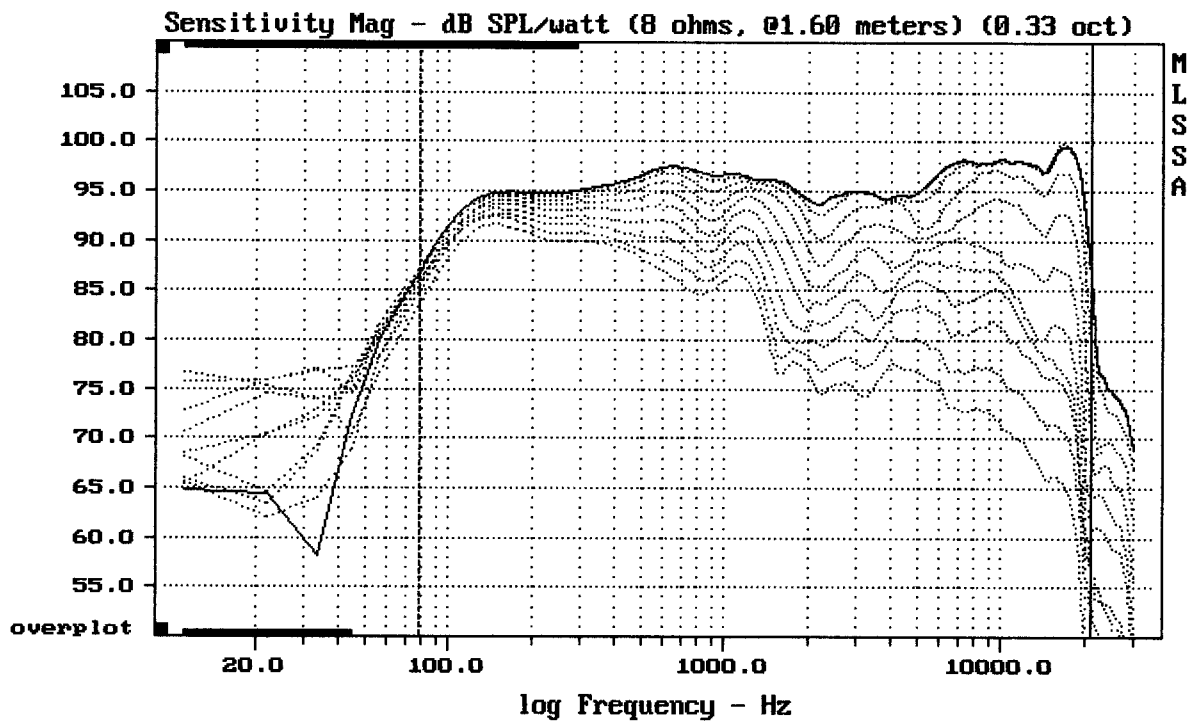
-74.31 dB, 2486 Hz (56), 2.970 msec (28)



mean: -0.0003623, rms: 0.001155, std: 0.001097, max: 0.005877, min: -0.001819

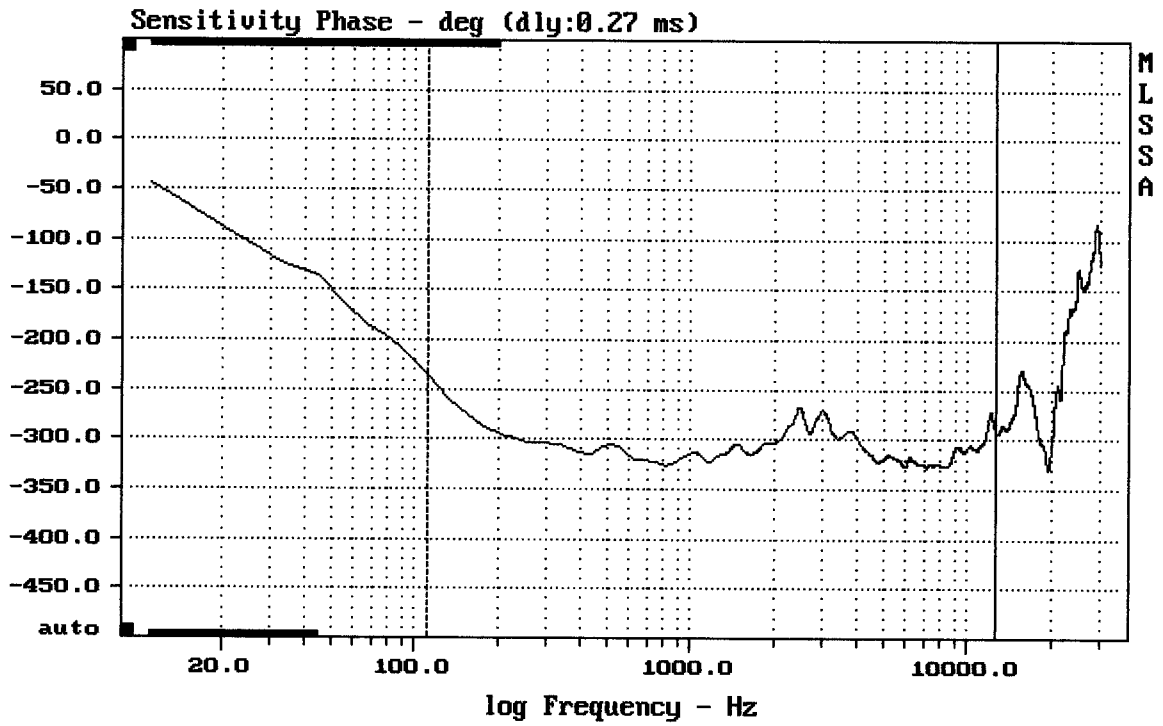
12" CIARE COD + DE10 + ME10

MLSSA: Time Domain



Overlay Compare: dev= +24/-17, std= 8.5, avg= -27

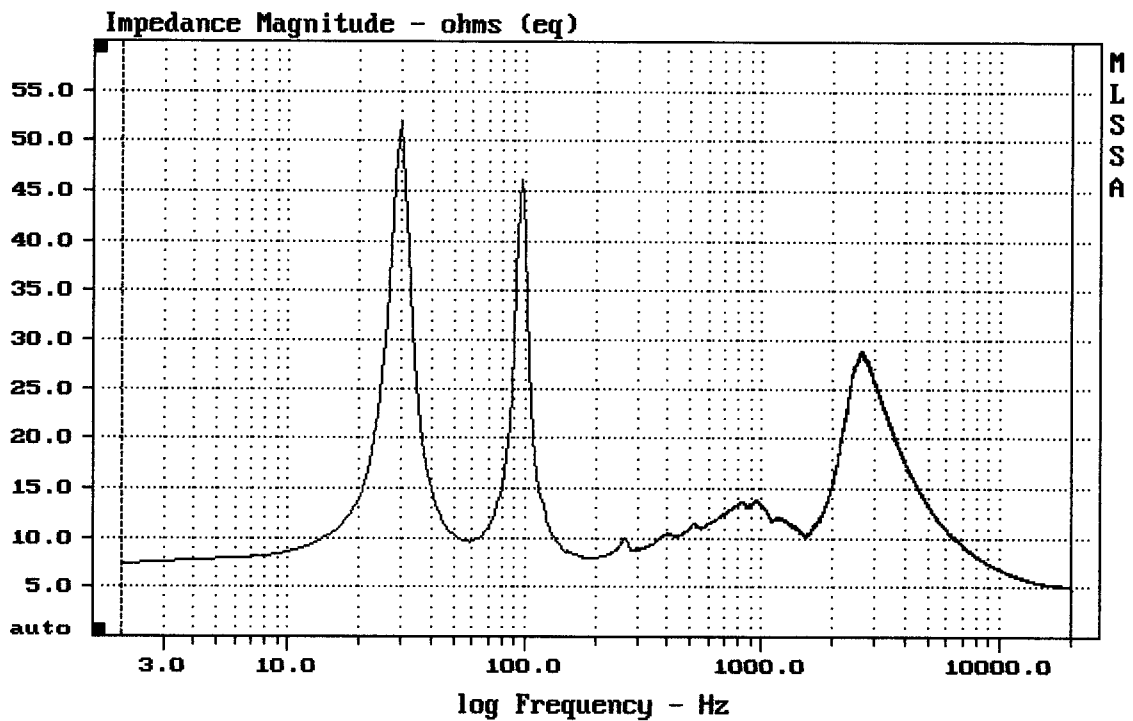
12" CIARE COD + DE10 + ME10



mean: -308.5, rms: 308.8, std: 15.54, max: -235.3, min: -327.7

12" CIARE COD + DE10 + ME10

MLSSA: Frequency Domain



mean: 9.337, rms: 10.91, std: 5.651, max: 52.08, min: 4.979

12" CIARE COD + DE10 + ME10