

Sestava Fane DX12HE + B&C Speakers DE200 + Megaton A8080

Osazení:

- Fane DX12HE 8/Ohm

<http://eshop.prodance.cz/DetailPage.asp?DPG=84997>

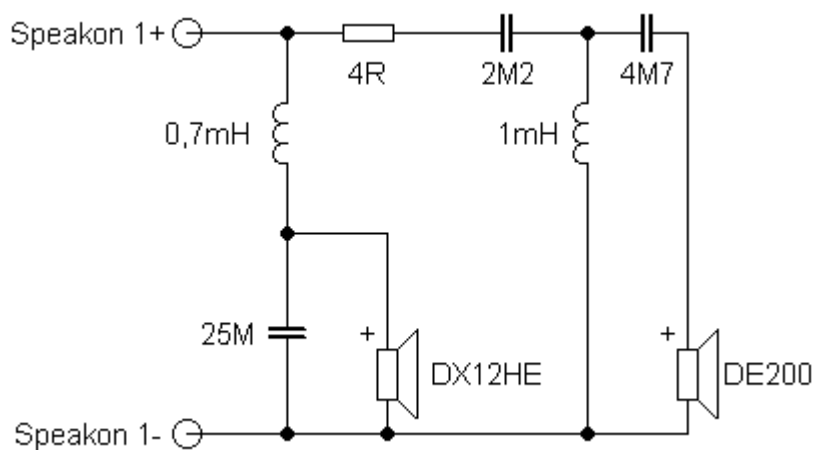
- B&C Speakers DE200 8/Ohm

<http://eshop.prodance.cz/DetailPage.asp?DPG=82302>

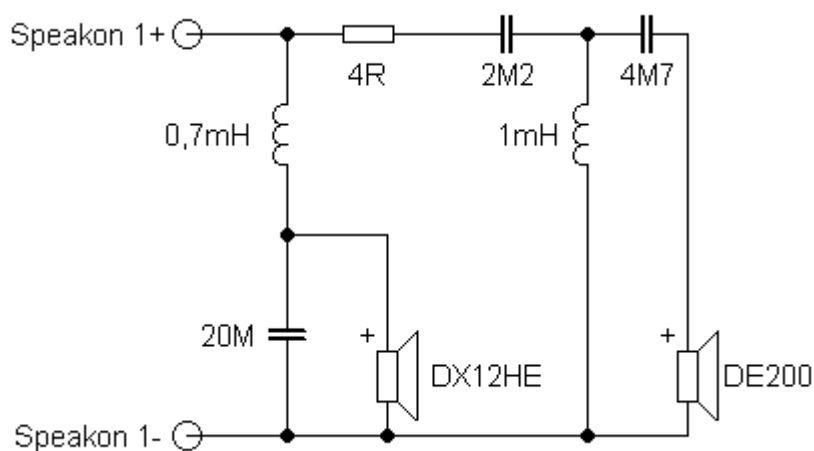
- Megaton A8080

<http://eshop.prodance.cz/DetailPage.asp?DPG=83916>

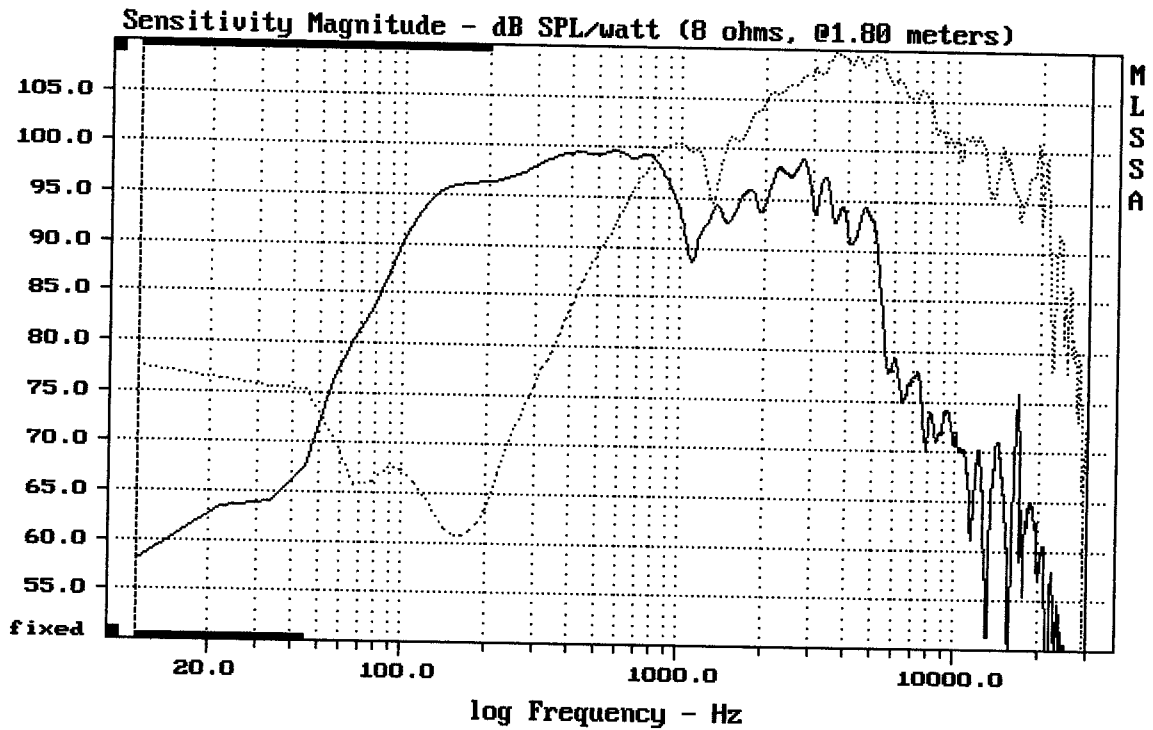
Schémata výhybek:



Variantá I.



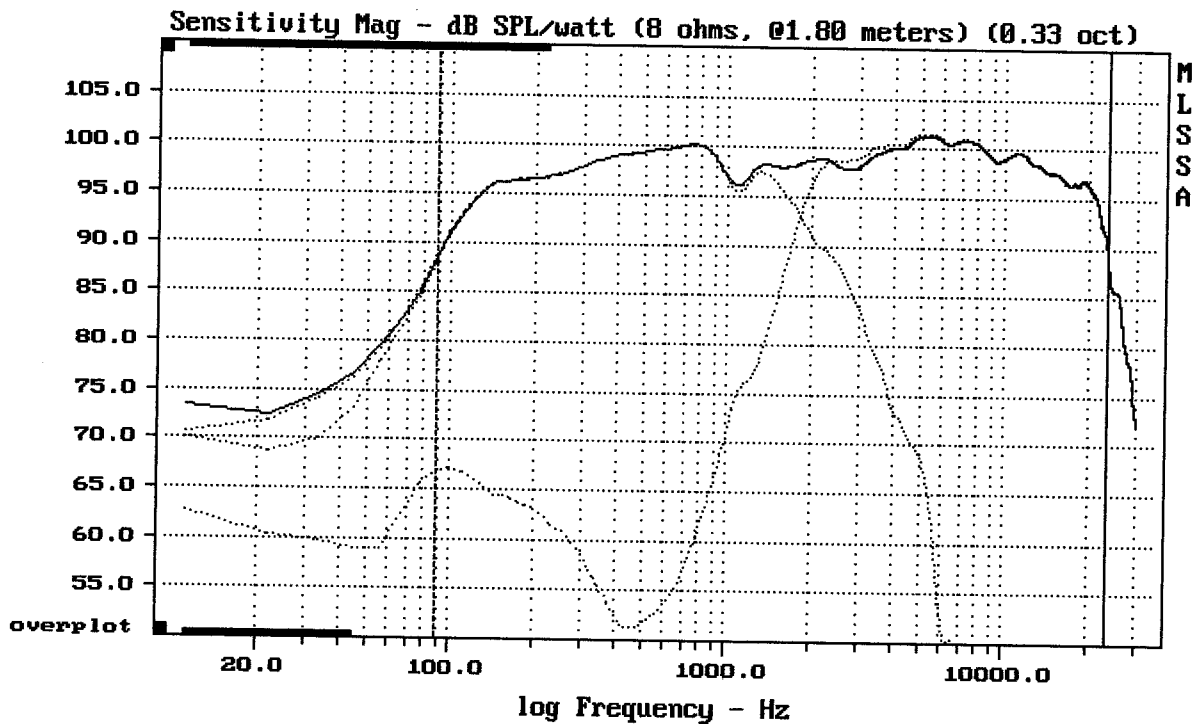
Variantá II.



CURSOR: dy = 27.4823 x = 30007.1014 (2704)

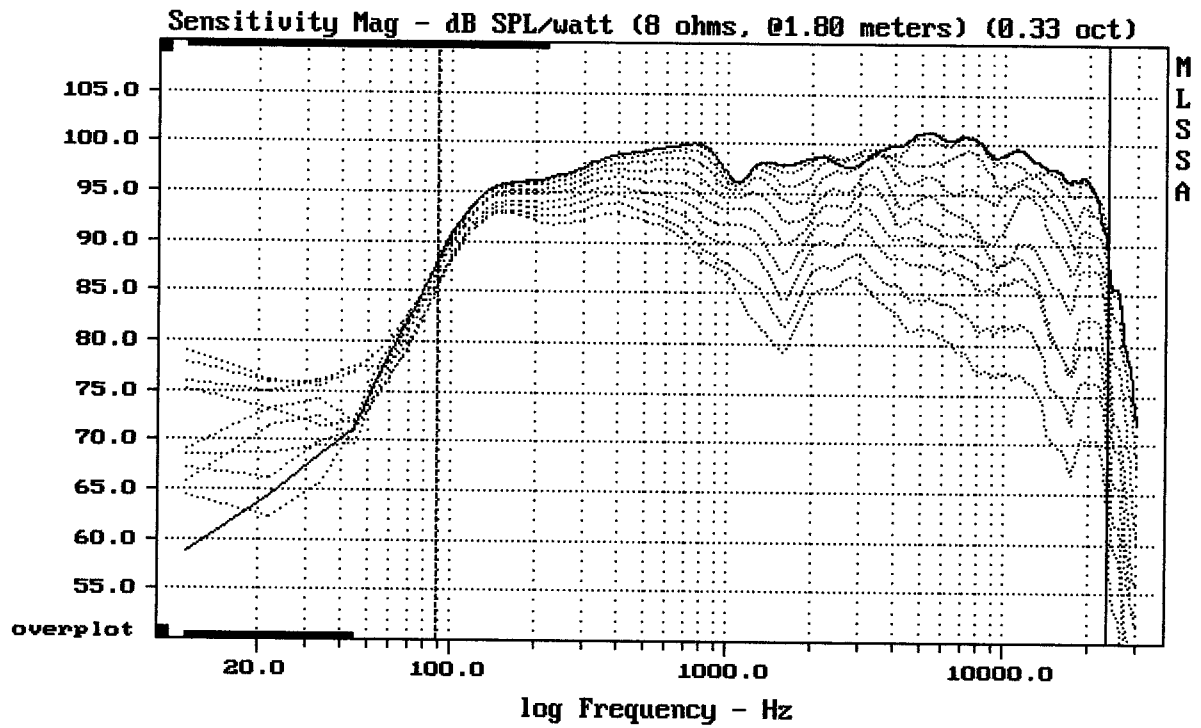
FANE DX12HE + DE200 + A8000

MLSSA: Frequency Domain



Level (89:23504 Hz) = 98.46 dB SPL/watt (8 ohms, @1.80 meters) (0.33 oct)

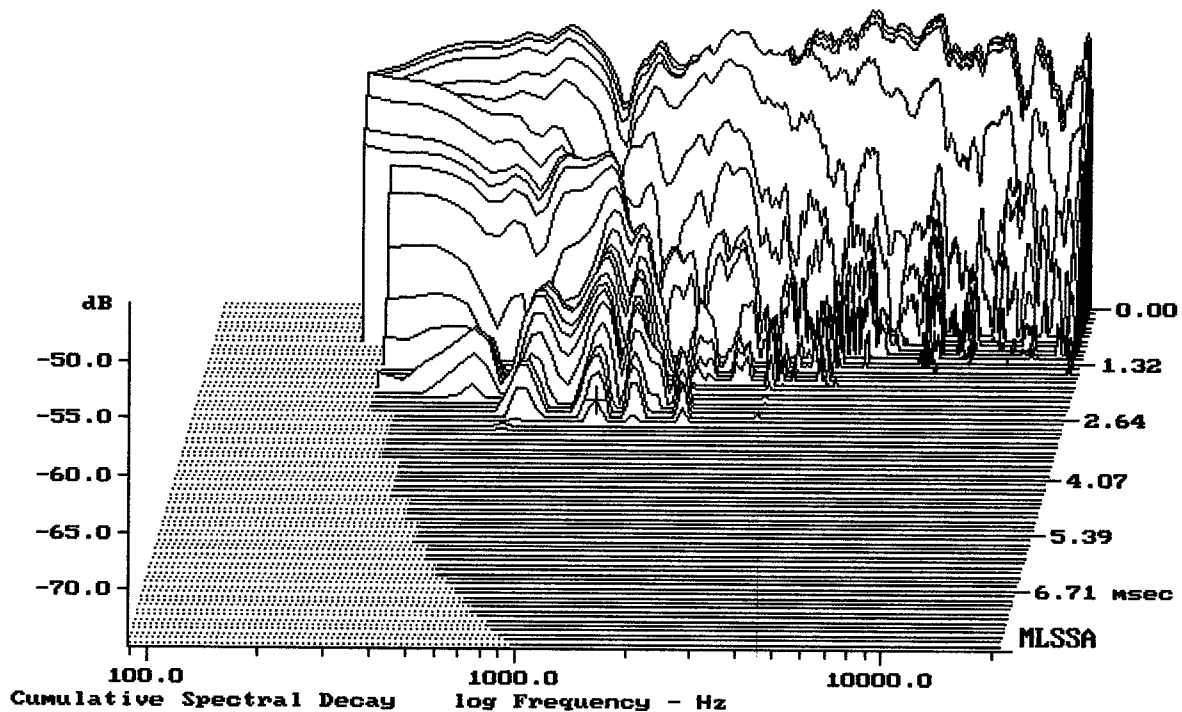
FANE DX12HE + DE200 + A8000



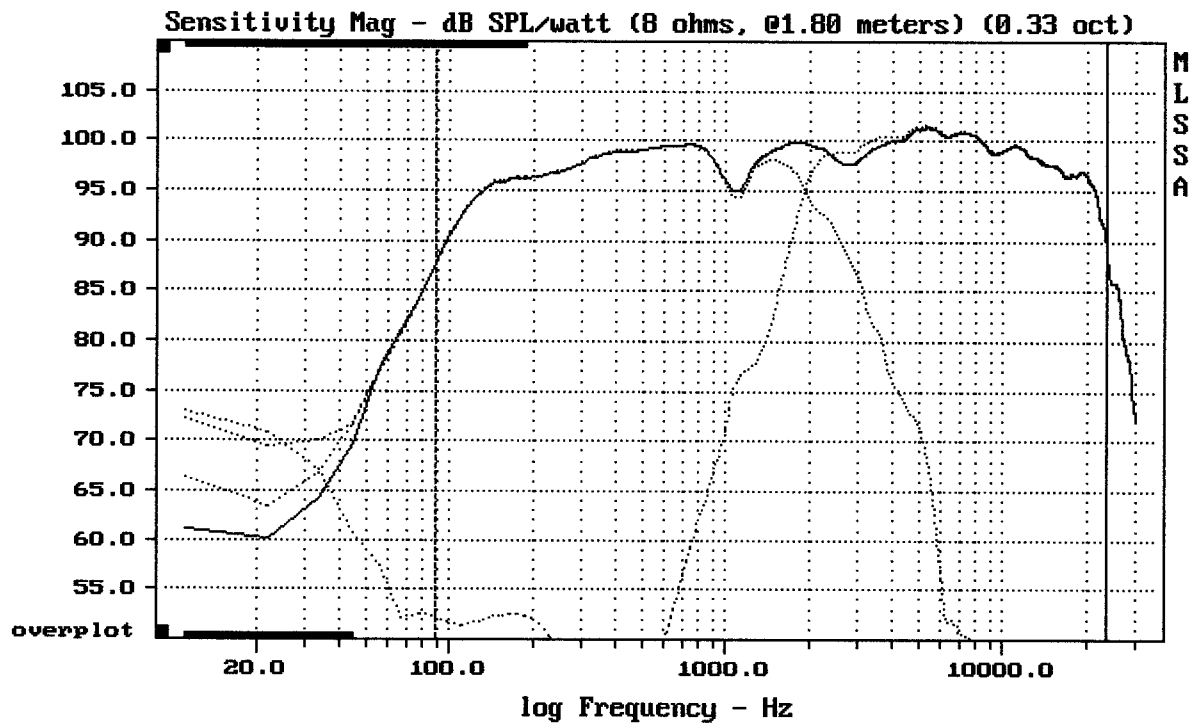
Overlay Compare: dev= +20/-7.3, std= 5.1, avg= -22

FANE DX12HE + DE200 + A8080

MLSSA: Frequency Domain



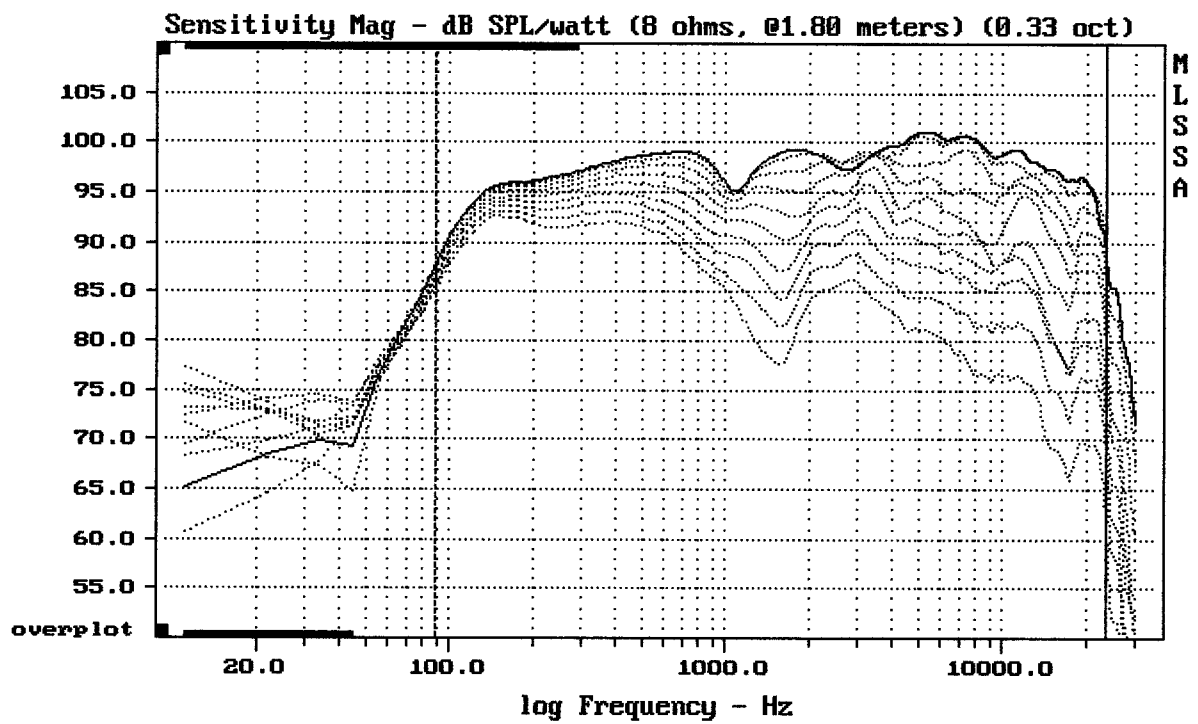
-73.19 dB, 1110 Hz (25), 2.750 msec (26)



Level (89:23504 Hz) = 98.39 dB SPL/watt (8 ohms, @1.80 meters) (0.33 oct)

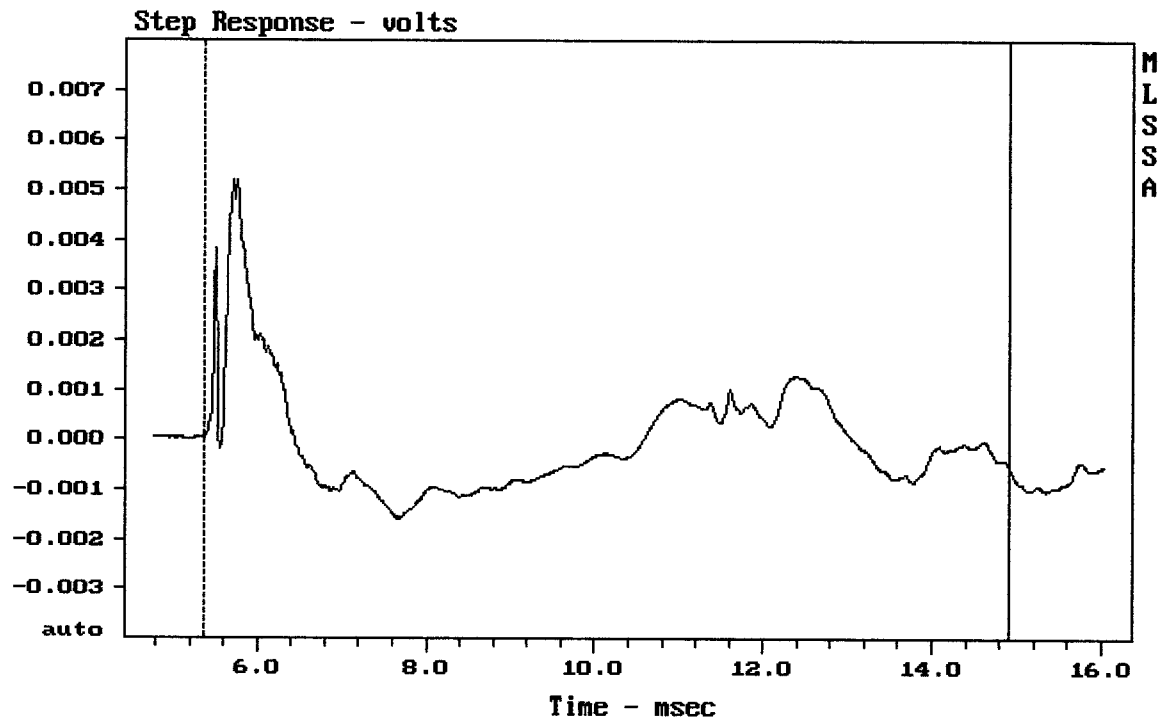
FANE DX12HE + DE200 + A8080

MLSSA: Frequency Domain



Overlay Compare: dev= +20/-7.7, std= 5.3, avg= -23

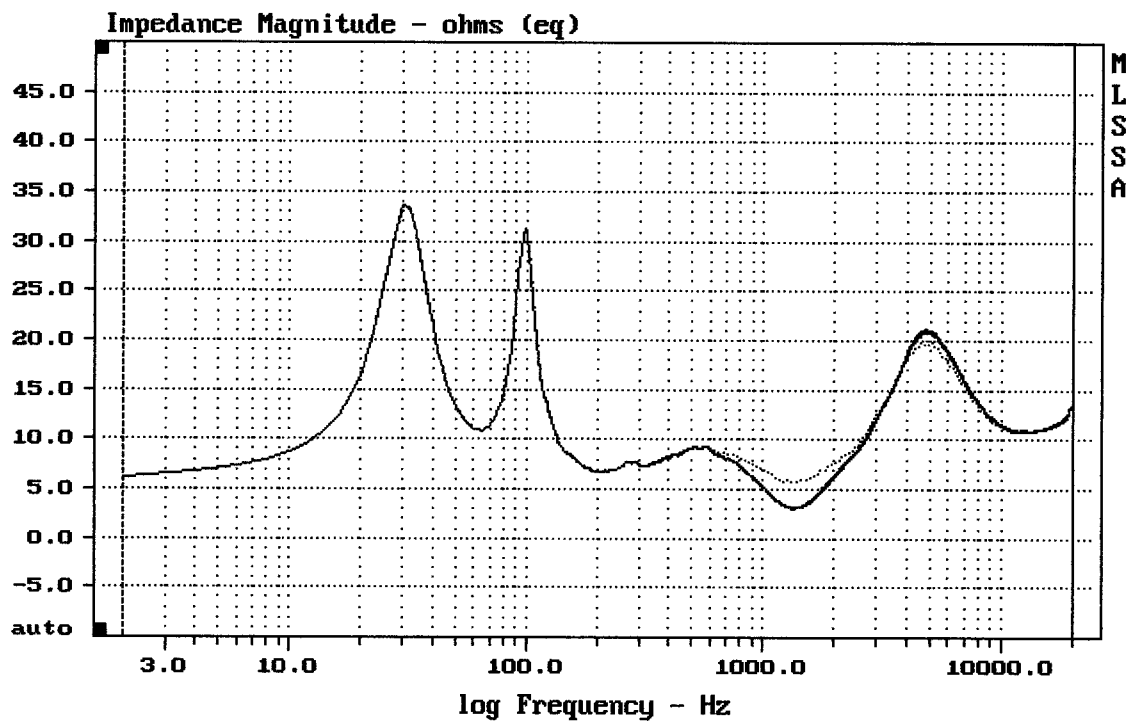
FANE DX12HE + DE200 + A8080



mean: $-2.137e-005$, rms: 0.001119, std: 0.001119, max: 0.005183, min: -0.001574

FANE DX12HE + DE200 + A8080

MLSSA: Time Domain



mean: 12.43, rms: 12.85, std: 3.249, max: 33.46, min: 5.716

FANE DX12HE + DE200 + A8080