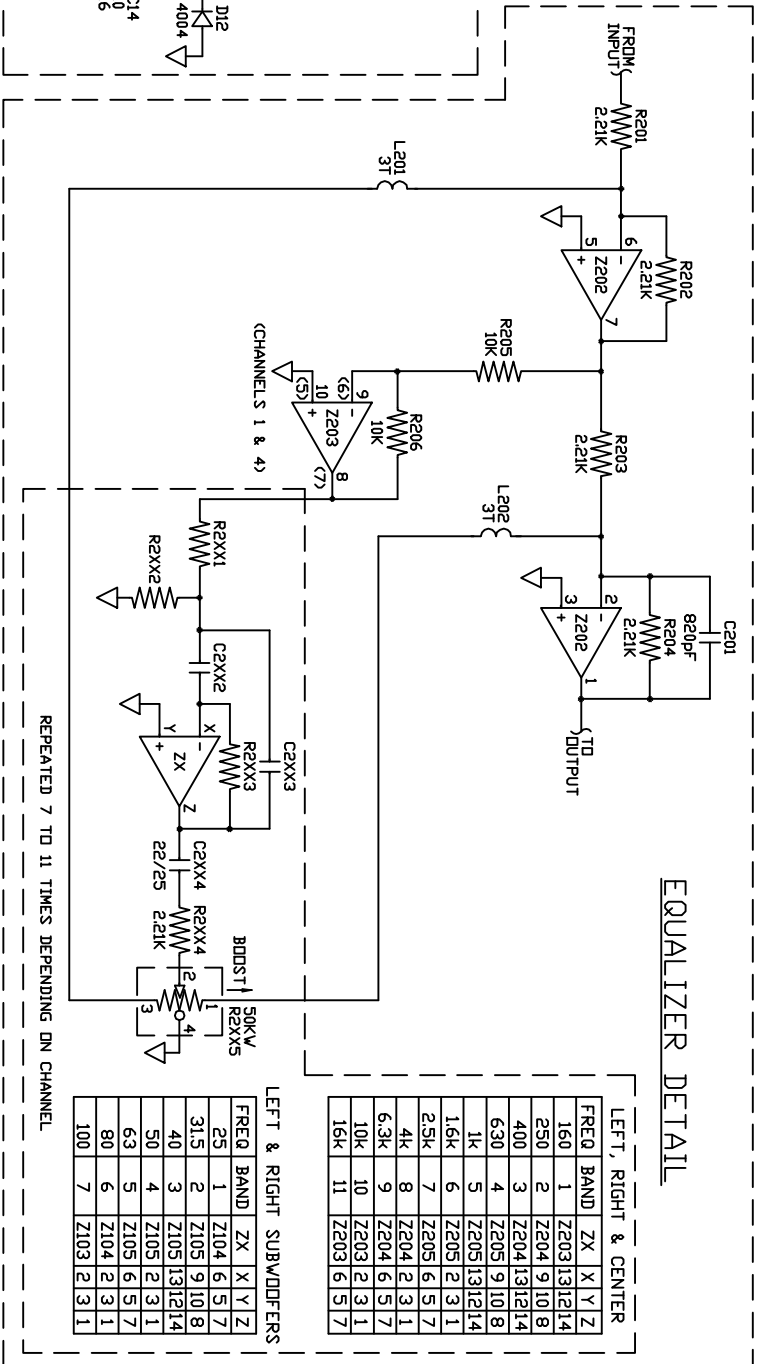
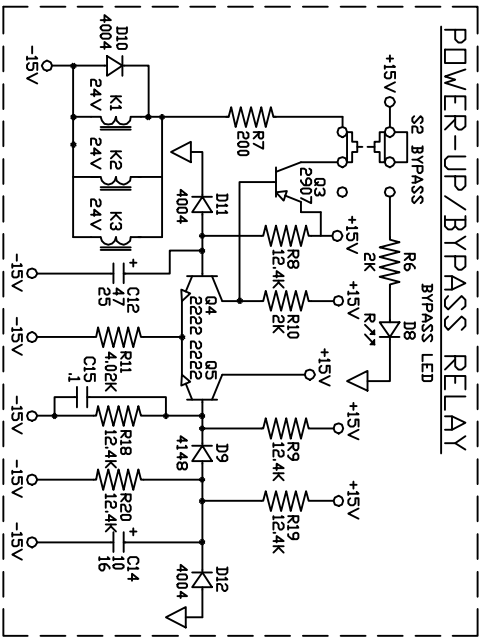


ACTION: NO CHANGE TO PART, NEW DDC#		REVISION: FJ	APPROVED:	DATE: 2/18/98
DRAWN: RJ	DATE: 17MAR94	CHECKED: SKH	DATE: 17MAR94	SHEET: 1 OF 2
DO NOT SCALE DRAWING				
Corp. 10802 47th Avenue West, Mukilteo WA 98275-5098 (425) 355-6000				
TITLE		SCHEM		
I/O SSE 35		DDC. NO.		
101585				



LEFT, RIGHT & CENTER

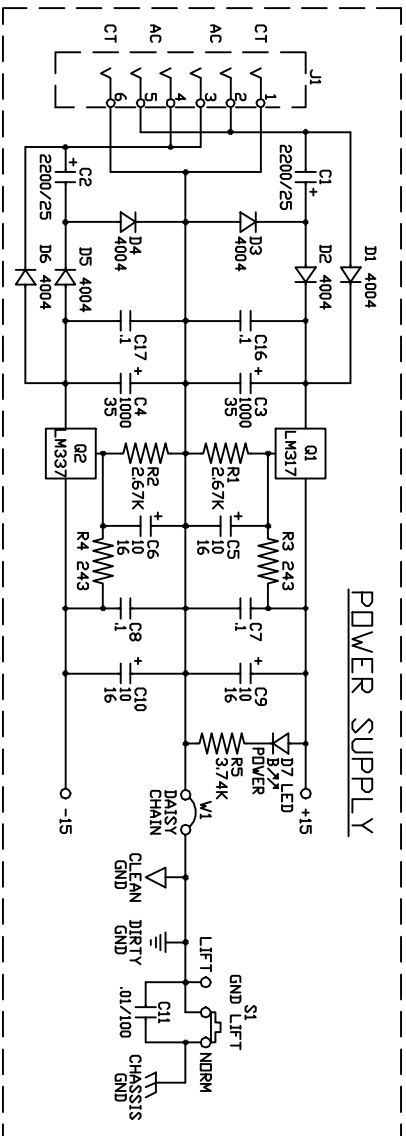
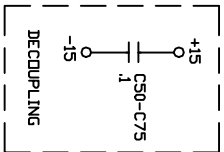
FREQ BAND	ZX	X	Y	Z
160	1	Z203	131214	
250	2	Z204	91018	
400	3	Z204	131214	
630	4	Z205	91018	
1k	5	Z205	131214	
1.6k	6	Z205	2131	
2.5k	7	Z205	6157	
4k	8	Z204	2131	
6.3k	9	Z204	6157	
10k	10	Z203	2131	
16k	11	Z203	6157	

LEFT & RIGHT SUBWOOFERS

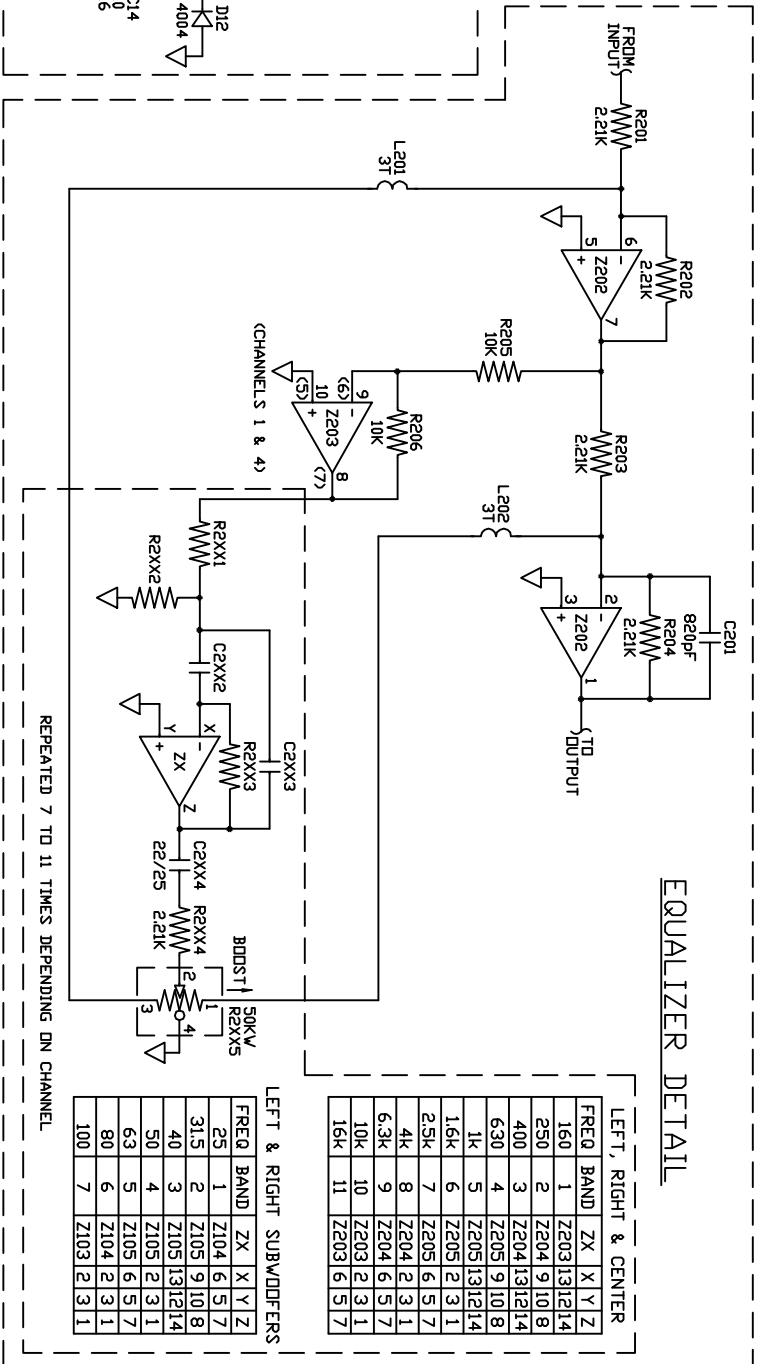
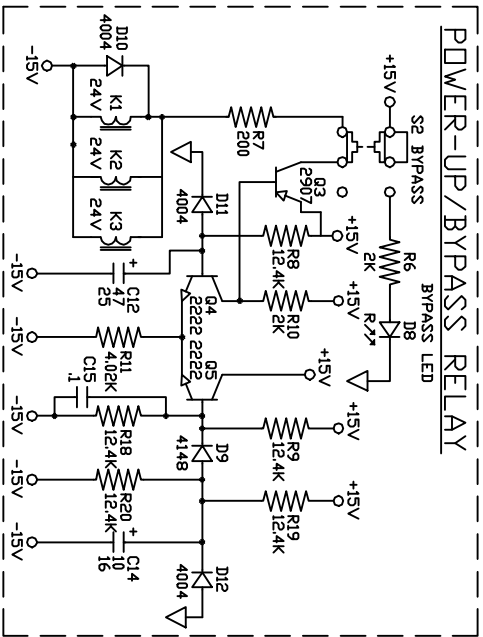
FREQ BAND	ZX	X	Y	Z
25	1	Z104	6157	
31.5	2	Z105	91018	
40	3	Z105	131214	
50	4	Z105	2131	
63	5	Z105	6157	
80	6	Z104	2131	
100	7	Z103	2131	

NOTES (UNLESS OTHERWISE SPECIFIED)

- ALL RESISTORS 1/4W, 1% METAL FILM
- ALL SVS SHOWN IN THEIR 'OUT' OR 'OFF' POSITION
- IC'S:
 - SINGLE = (ZX)D 5534
 - DUAL = 4570 DR EQUIV.
 - QUAD = D711 DR EQUIV.
- POWER SUPPLY CONNECTIONS:
 - POS SUPP
 - NEG SUPP
- EQUALIZER DETAIL REPEATED FIVE TIMES
 - CHANNEL 1 PARTS NUMBERED 100-199 (LEFT SUBWOOFER)
 - CHANNEL 2 PARTS NUMBERED 200-299 (LEFT)
 - CHANNEL 3 PARTS NUMBERED 300-399 (CENTER)
 - CHANNEL 4 PARTS NUMBERED 400-499 (RIGHT SUBWOOFER)
 - CHANNEL 5 PARTS NUMBERED 500-599 (RIGHT)



POWER SUPPLY



LEFT, RIGHT & CENTER

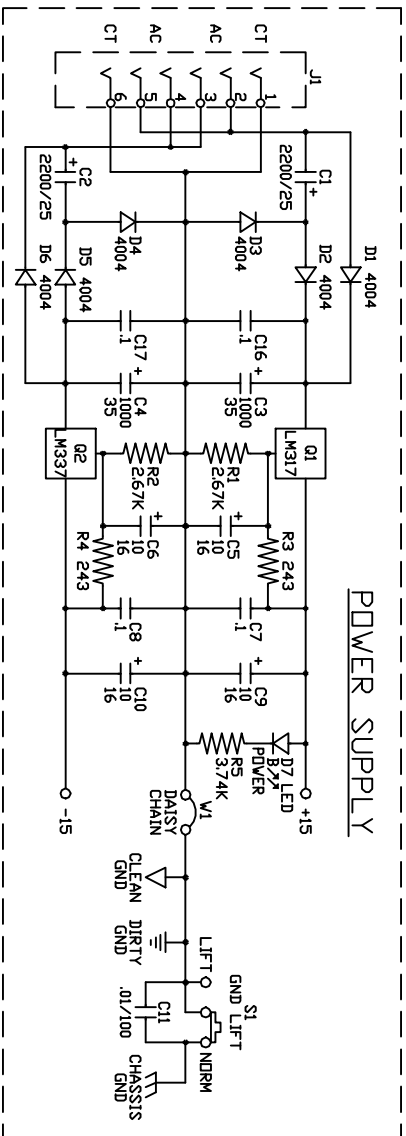
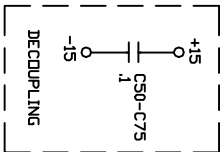
FREQ BAND	ZX	X	Y	Z
160	1	Z203	131214	
250	2	Z204	91018	
400	3	Z204	131214	
630	4	Z205	91018	
1k	5	Z205	131214	
1.6k	6	Z205	2131	
2.5k	7	Z205	6157	
4k	8	Z204	2131	
6.3k	9	Z204	6157	
10k	10	Z203	2131	
16k	11	Z203	6157	

LEFT & RIGHT SUBWOOFERS

FREQ BAND	ZX	X	Y	Z
25	1	Z104	6157	
31.5	2	Z105	91018	
40	3	Z105	131214	
50	4	Z105	2131	
63	5	Z105	6157	
80	6	Z104	2131	
100	7	Z103	2131	

NOTES (UNLESS OTHERWISE SPECIFIED)

- ALL RESISTORS 1/4W, 1% METAL FILM
- ALL SVS SHOWN IN THEIR 'OUT' OR 'OFF' POSITION
- IC'S:
 - SINGLE = (ZX) 5534
 - DUAL = 4570 DR EQUIV.
 - QUAD = D11 DR EQUIV.
- POWER SUPPLY CONNECTIONS:
 - POS SUP
 - NEG SUP
- EQUALIZER DETAIL REPEATED FIVE TIMES
 - CHANNEL 1 PARTS NUMBERED 100-199 (LEFT SUBWOOFER)
 - CHANNEL 2 PARTS NUMBERED 200-299 (LEFT)
 - CHANNEL 3 PARTS NUMBERED 300-399 (CENTER)
 - CHANNEL 4 PARTS NUMBERED 400-499 (RIGHT SUBWOOFER)
 - CHANNEL 5 PARTS NUMBERED 500-599 (RIGHT)



POWER SUPPLY