



**STREET  
BASS  
SELENIUM**

# 12W1A / 15W1A

In response to a number of request for street sound with excellent sound quality, strong bass and high SPL, Selenium launches an innovate product in car audio: Street Bass.

Street Bass features a set of parameters based on its application purpose, which make it unique in its category.

The high sensitivity of Street Bass line speakers allows the car audio system to reproduce high SPL using amplifiers with power from 200 to 300 W RMS, which are easily available in the market at reasonable cost. Even using booster-type amplifier, the return will be different from other speakers currently available in the market.

- **Basket:** its steel basket has gained a new, sturdier design with epoxy paint finishing, which provides the speaker with great mechanical resistance and high structural stiffness.
- **Cone:** its long pulp fiber features special and innovative texture which provides less distortion and greater linearity in frequency response. In addition, a special treatment with high resistance resin protects the loudspeaker from the effects of intense light and excessive dust and humidity.
- **Suspension:** its suspension has no mechanical brakes and is distortion-free.



12W1A

15W1A

TECHNICAL SPECIFICATIONS	12W1A	15W1A
Nominal diameter	305 (12)	381 (15)
Nominal impedance	4	4
Power handling		
MAX <sup>1</sup>	500	600
RMS <sup>2</sup>	250	300
Sensitivity (1W@1m)	94	95
Frequency response @ -10 dB	35 to 4,000	35 to 4,000
Volume displaced by woofer	2.0 (0.071)	3.6 (0.127)
Magnet weight	1,600 (56.44)	2,035 (71.78)
Voice coil diameter	60 (2.4)	60 (2.4)
Net weight	5,465 (12.05)	6,200 (13.66)

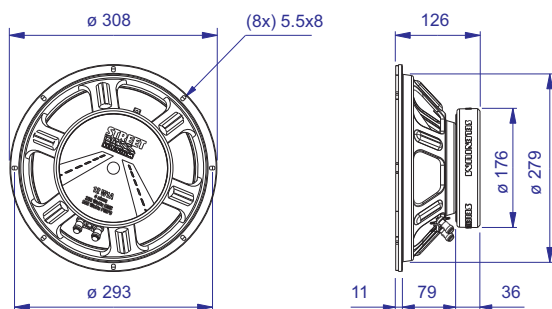
<sup>1</sup> Power handling specifications refer to normal speech and/or music program material, reproduced by an amplifier producing no more than 5% distortion. Power is calculated as true RMS voltage squared divided by the nominal impedance of the loudspeaker.

<sup>2</sup> Brazilian Standard NBR 10.303, with pink noise during 2 hours uninterrupted.

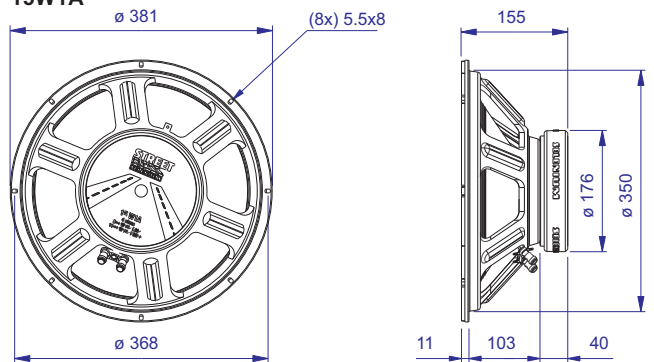
THIELE-SMALL PARAMETERS	12W1A	15W1A
Fs	34	39
Re	3.1	3.1
Qms	6.00	10.21
Qes	0.49	0.76
Qts	0.45	0.71
Vas	144 (5.08)	204 (7.20)
Ref Eff	1.48	1.9
Sd	0.0556 (86.2)	0.0954 (147.9)
Vd	208.38 (12.72)	357.75 (21.83)
Xmax	3.75 (0.15)	3.75 (0.15)
βl	9.5	10.5

A variation of ± 15% is allowed.

12W1A



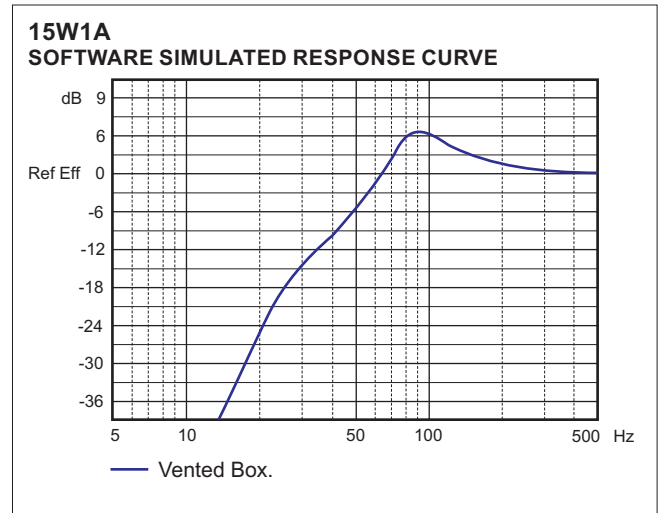
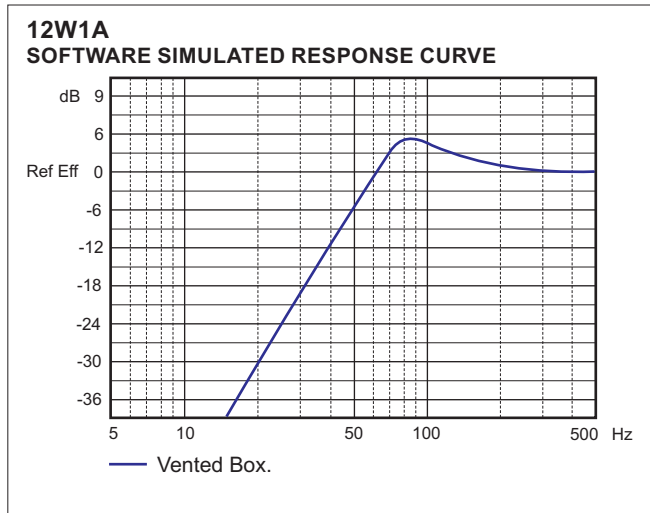
15W1A



Dimensions in mm.



# 12W1A / 15W1A



### SUGGESTED ENCLOSURES

MODELS	CLOSED BOX	VENTED BOX		
	Internal Volume (liters)	Internal Volume (liters)	Duct (s)	
			Qty	Diam. x Length (cm)
12W1A	---	54	2	7.5 x 5
15W1A	---	82	2	10 x 10

The suggested enclosure volumes are related to only one speaker, including woofer and duct(s) displaced volume.

For enclosure with more than one speaker, it is necessary to multiply the suggested volume and duct(s) by the quantity of speakers and build them with separated chambers (internal division).

### ENCLOSURES INTERNAL VOLUME CALCULATION INSTRUCTIONS

**RECTANGULAR BOX**

$$\text{Internal Volume} = \frac{A \times B \times C}{1000}$$

A, B and C are internal dimensions (in cm). The internal volume result is given in liters.

**TRAPEZOID RECTANGULAR BOX**

$$\text{Internal Volume} = \frac{A \times B \times \left(\frac{C+D}{2}\right)}{1000}$$

A, B, C and D are internal dimensions (in cm). The internal volume result is given in liters.

Specifications subject to change without prior notice.

Cod.: 152061 Rev.: 03 - 02/05

**ELETRÔNICA SELENIUM S.A.**  
BR 386 Km 435 - Nova Santa Rita/RS - Brasil - CEP 92480-000  
Tel.: 51. 479 4000 Fax: 51. 479 1150  
www.selenium.com.br  
Atendimento Técnico: 0800 514161

**FILIAL SÃO PAULO**  
Rua Aquinos, 157 - São Paulo/SP - Brasil - CEP 05036-070  
PABX.: 11.2126 6300 Fax: 11.2126 6360

**SELENIUM USA / SELENIUM EUROPE**  
www.seleniumloudspeakers.com  
Toll Free: 1800 5620510